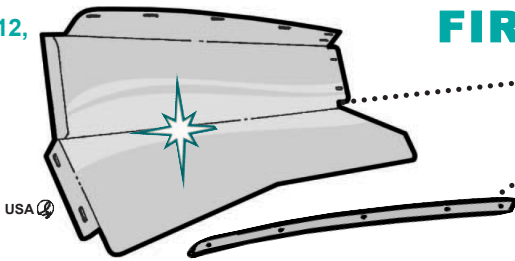
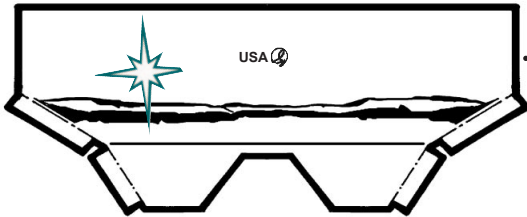


# FIRE WALL & INNER FENDER



- CUSTOM INNER FENDERS** see page 111 for more info and styles.
  - Steel, nicer style .....7503-D .....\$279.95 pr
  - Polished .....7503-PS .....\$299.00 pr
- SPACER BAR** professional builders use this in small gap between custom fender and inner fender, pre-punched holes .7501 .....\$24.00 pr

*ask about scratch & dent polished stainless firewalls & inner fenders, we often have good deals with minor handling damage.*

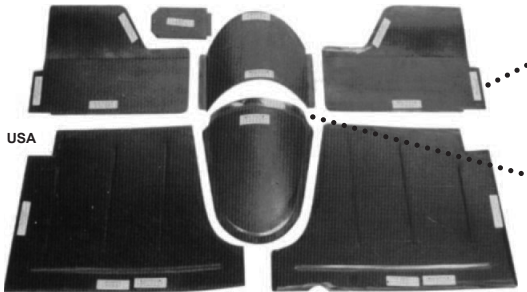


- CUSTOM FIREWALL COVER**
  - Matches inner fenders, mounts under upper cowl ledge, and inner fender stock location, insulate & run wiring behind for clean firewall and extra sound & heat protection.
  - PLAIN STEEL .....7509-STL .....\$139.95 ea..
  - POLISHED STAINLESS .....7509-PS .....\$189.95 ea..
  - Additional oversize shipping charge .....Add .....\$20.00 ea..



- REPLACEMENT FIREWALL KIT** 16 Gauge steel with 4" deep firewall setback.. Welding required, not a cover, replaces firewall and gives 4" extra room for engine. Matches custom floor board & tunnel kit below.
  - Oversize shipping, 4" Set-back .....7519 .....\$450.00 ea
  - SAME as above, but STOCK Set-back .....7519-K .....\$425.00 ea.

- ABS INSIDE UNDERDASH FIREWALL COVER**, Made specifically for above custom set back firewall (o/s) .....7517-ABS .....\$189.00 ea.



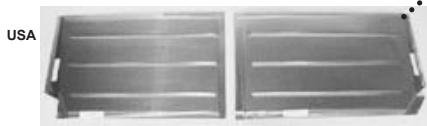
- CUSTOM FLOOR BOARD & TUNNEL KIT**
  - Use with firewall above .....7518 .....\$299.00 set
  - Use with stock firewall .....7518-SF .....\$289.00 set
  - 16 gauge steel, replaces entire front floor, toe board and tranny area. High clearance for automatic transmissions. Oversize shipping.

*See also TALL TRANSMISSION COVERS on page 115*

- JUST THE TUNNEL** .....7515-T .....\$125.00 ea.

- MATCHING REAR FLOORBOARD** .....7516 .....\$160.00 ea.
- oversize .....\$20.00 ea.

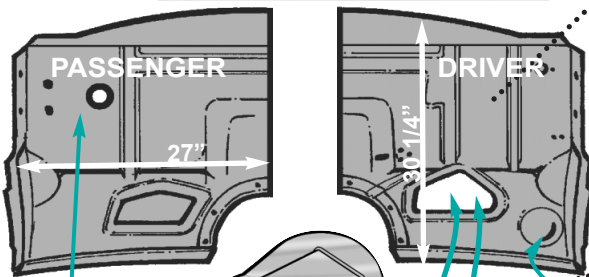
*STOCK REAR FLOOR BOARD see page 115*



## FIREWALL HALF SECTIONS,

Complete with toe board area. Not a cover, reproduction of 1956 original, but split in half, extra material at center for installation. Goes from top of cowl to floor. fits 53-55 but will have little wiper motor indent. Oversize shipping

- FIREWALL, DRIVER SIDE.** .....7770-L .....\$119.00 ea.
- FIREWALL, PASSENGER SIDE** .....7772-R .....\$119.00 ea.



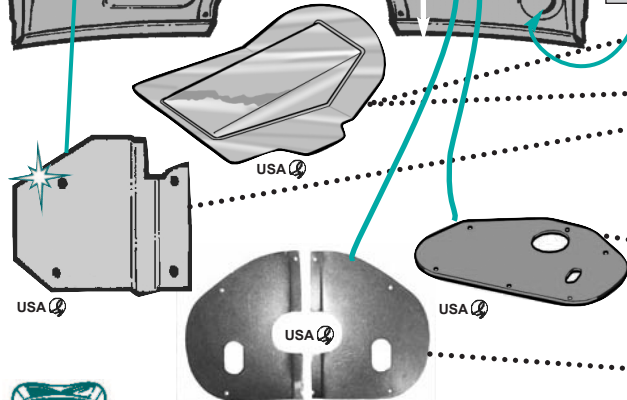
- DIMMER SWITCH FLOOR PLATE** .....2914-FP .....\$15.00 ea
- Plate to floor screws .....82912 .....\$1.50 set
- Switch to plate bolts .....82915 .....\$1.00 pr.
- Dimmer switch hole plug .....82911 .....\$.55 ea.

- TRANS COVERS, Stock Steel** .....7786 .....\$60.00 ea.

- GASKET, 2 piece** .....7786-GSKT .....\$16.90 ea.

- TALLER, for large trans** .....7786-TALL .....\$119.00 ea.

- HEATER HOLES COVER**, Stock, .....1900-5355 .....\$22.00 ea
- Stock, .....1900-56 .....\$22.00 ea
- Polished .....1901-5355 .....\$29.00 ea
- Polished .....1901-5355 .....\$29.00 ea.



- FLOOR PLATES** see page 164 & 171 for more info. and pictures
- Many styles available, not listed on this page

## NEW PLATE AND LOWER COLUMN SUPPORT, see pg.167-171

- STOCK STYLE Auto, Brake only, Set of 4** .4668-A4 .....\$45.00 pr.

- STOCK STYLE, Clutch and Brake hole** .4667-4 .....\$25.00 ea.

- PLATE BOLT KIT**, for all our floor plates, includes Chrome Acorn nuts that show on firewall side .....84668 .....\$7.50 kit

