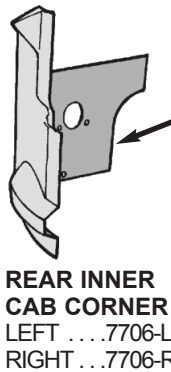


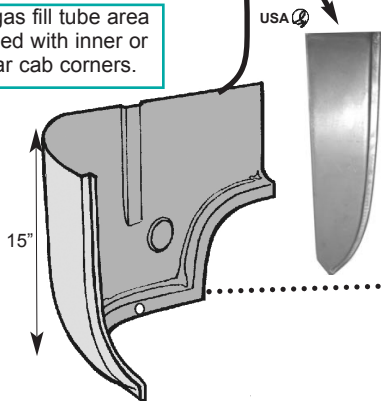
Big Back window conversion, replaces back window section from roof seam to below window, includes door post area as shown.

Roof, see page 31,107



REAR INNER CAB CORNER
LEFT ...7706-L ...\$65.00 ea
RIGHT ...7706-R ...\$65.00 ea.

1953-55 gas fill tube area not included with inner or outer rear cab corners.



- BIG BACK WINDOW TRIM**1226 \$250.00 set
Reproduction, not exact of original, for information see page 31
- WINDOW INSTALL TOOL KIT**, what a help, tool feeds correct size rope into rubber groove3124 \$16.00 kit
- BIG BACK WINDOW CONVERSION**7792 \$495.00 ea.
Very nice piece, complete from roof seam to 3" below window, as shown, Fits perfect, Ships UPS Shown here without Stainless Trim.
Ships UPS, oversizeADD \$40.00 ea.
- REAR WRAP AROUND WINDOW**
CLEAR1724-56CLR \$250.00 ea.
TINTED1724-56TNT \$275.00 ea.
SMOKE1724-56SMK \$275.00 ea.
LIMO, DOUBLE DARK1724-56DRK \$275.00 ea.
SHIPPING Add (business address) ..1724-SHIP \$150.00 ea
- REAR WINDOW WEATHER-STRIP**
Use With Stainless Trim3104-BB \$45.00 ea.
Use Without Stainless Trim (shown)3104-NO \$45.00 ea.



TRIANGLE GUSSET, behind kick panel area, 1953-55 set above rocker USA
DRIVER Side7716-L ... \$22.50 ea.
PASSENGER Side7716-R. . \$22.50 ea.



LOWER REINFORCEMENT 1956 reinforcement or good patch if complete rocker not needed.
Also needed with China rockers with 56 indent.
DRIVER Side7719-L ... \$20.00 ea.
PASSENGER Side ..7719-R .. \$20.00 ea.

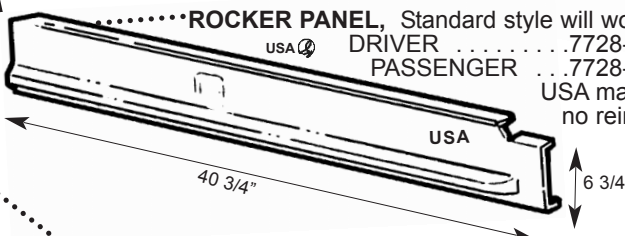


ROCKER "L" REINFORCEMENT, 1955
1954-557717-55 .. \$20.00 pr.
This reinforcement was found on some 54 also.

1956 truck had added reinforcement piece, see above
ROCKER With INDENT7729-56L .. \$48.50 ea.
ROCKER With INDENT7729-56R .. \$48.50 ea.



ROCKER PANEL, Standard style will work for all years 18g
DRIVER7728-L \$50.00 ea.
PASSENGER7728-R \$50.00 ea.
USA made, back in stock!!
no reinforcement needed.



Rocker, and rear cab corners may have additional shipping.

REAR LOWER CAB POST USA
DRIVER7715-L \$39.00 ea.
PASSENGER7715-R \$39.00 ea.

REAR CAB CORNER, 53-56
Nice sharp bends and correct curve, 15" tall, which is tall enough to cover 1953-55 gas tank filler indentation, (indent is not included)
LEFT, DRIVER SIDE7709-L \$30.00 ea.
RIGHT, PASSENGER SIDE7709-R \$30.00 ea.

Patch Panels, most all are actually a copy of a Ford patch, or, a 1956 truck. Panels may require some modification to work on a 1953-55. Rear cab corners do not have 1953-55 gas filler provision, Complete cowl piece has small dip at top inner area, Firewalls have indent for wiper motor, etc. Patch panels are not covers, they replace the original sheet metal, however, like all repair pieces, they may not be exact duplicates of original. Even original cabs are not all exactly alike as they were not all stamped from the exact same dies. Watch for notes in this book and on our website for helpful hints on fit, etc.