

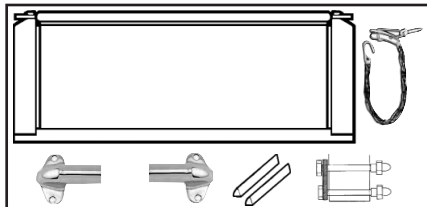
YOUR CHOICE BED KIT

Pick out any combination as long as it includes any style or finish of the following, then deduct \$150.00 from the total.

- 2..Bed sides, any style, teardrop, smooth or dropped
- 1..Front panel, stock or stainless top
- 3..Underbed crossmembers, stock stainless or hidden mounting
- 1..Rear crossmember, stock, stainless or dropped
- 1..Bed Wood, With or Without Holes
- 1..Set Skid Strips, steel, stainless, polished stainless
- 1..End cap, any finish
- 1..Skid strip bolt kit, any finish
- 1..Underbed washer kit, any finish
- 1..Set insulators

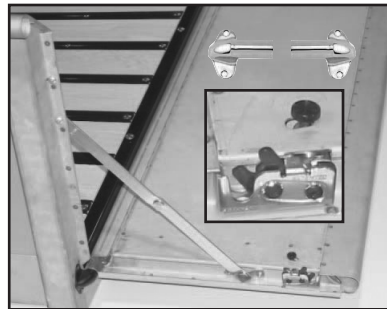
"Your Choice" Bed Kit Shipping may be higher than normal.

NEW, ADD A TAILGATE KIT BELOW TO ANY BED KIT ON THESE 4 PAGES

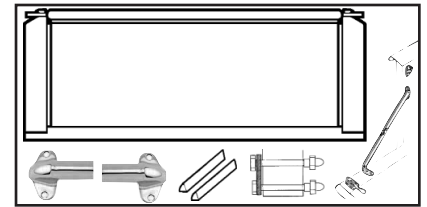


NO LETTERS
 Steel Mounting90253-Z .\$.339.95
 Polished Mounting . .90253-PS .\$.429.95

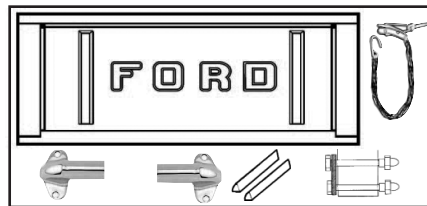
Or see all tailgate choices on pg *132, 133



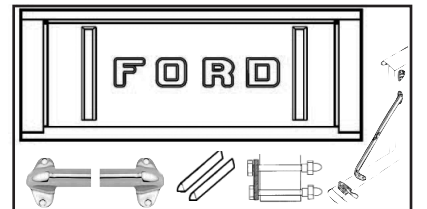
Smooth Gate with Custom Hidden Bearclaw Latches and Supports, Hinges and bolts.
 Plain Steel . . .90258\$.385.00
 Polished . . .90259\$.525.00



NO LETTERS
 Chrome thumb latches and supports
 Polished hinges90255 .\$.449.95



WITH LETTERS
 Steel Mounting90252-Z .\$.415.95
 Polished Mounting . .90252-PS .\$.499.95

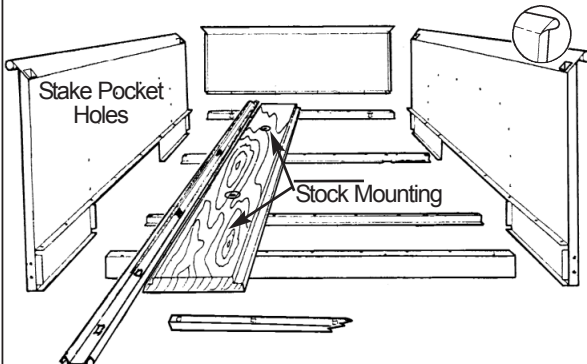


WITH LETTERS
 Chrome thumb latches and supports
 Polished hinges90254 .\$.519.95

Pre-drilled bedsides additional charge
 4 holesBED-0246 .\$.60.00



TEARDROPS, welding and finishing charge \$50.00 per teardrop. You may install them yourself for less, see pg.130



Tailgate, not included, see new kits for additional savings. Or find your choice on Tailgate pg.132

PLAIN STEEL BED KIT

Steel runners & hardware

- STONE STOCK, With Stake holesBED-STK\$.1195.00
- STOCK, no woodBED-STKNW\$.895.00
- NO Stake Holes & STOCK MountingBED-CR-SM\$.1195.00
- NO Stake Holes & HIDDEN MountingBED-CR-UM\$.1195.00
- NO Stake Holes, With TEARDROPS, And STOCK MountingBED-CR-TD\$.1395.00
- NO Stake Holes With TEARDROPS, And HIDDEN MountingBED-CR-TDUM .\$.1395.00

INCLUDES

- | | |
|------------------------------------|------------------------------------|
| 2 Bedsides with stake pocket holes | 1 Set Skid Strips, Steel |
| 1 Front bed panel | 1 Steel end cap |
| 1 Front Crossmember | 1 Set Hold down Bolts, Originals |
| 2 Center Crossmembers | 1 Set Skid Strip Bolts, Zinc plate |
| 1 Rear Crossmember | 1 Set under bed Washers, Zinc |
| 1 Set Oak Bed Wood With Holes | 1 Set Hold Down Insulators |

KIT LESS WOODDEDUCT\$.175.00
 Add Bedside Flange angles, steel0209-NZ\$.25.00
 Add TAILGATE, see kits next page or all Tailgate styles, pg 132-133
PLAIN STEEL BED KITS SHIP FOR \$250.00