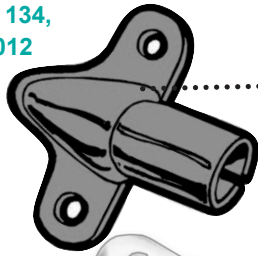


# TAILGATE HINGES



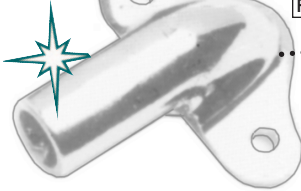
**STEEL REPRODUCTION**, Black . . . . .0255-BL . . . . \$7.50 ea.  
Genuine ford hinges are junk, we suggest using steel reproductions.  
If you just must go strictly original let us search out a half decent pair.



**ALUMINUM**, nice, squared off look . . . . .0256-AL . . . . \$55.00 pr.

**ALUMINUM & SOLID STAINLESS MOUNTING BOLTS**

Longer to go through hinge, Polished Button .80245-PB . . . . \$14.50 kit



F-100 - F-350

**OURS, NICE POLISH** . . . . .0257-PS . . . . \$39.95 pr.  
This is the best buy, nice stamping, nice polish.

**CUSTOM LATCHES AND HINGES SEE PG. 136**

**NUTSERT INSTALL TOOL** . . . . .80104 . . . . . \$8.00 ea  
Nutserts for tailgate hinges, 1/4-20 (4) . . .80249 . . . . . \$3.75 set

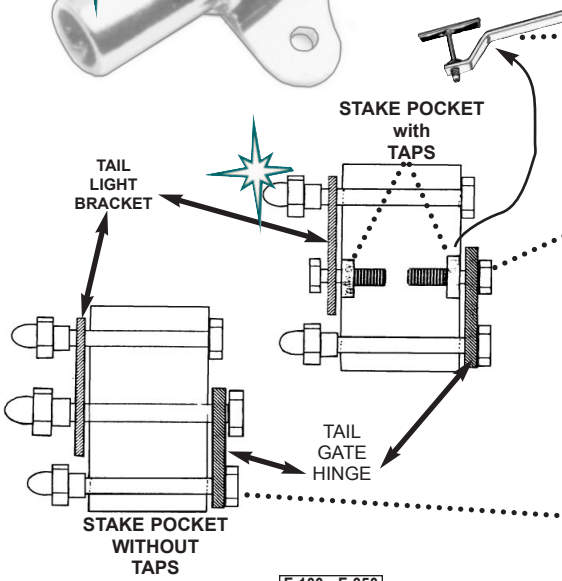
**TAIL GATE HINGE BOLT KITS,**

ALL KITS ARE POLISHED STAINLESS And Include ACORN NUTS where threads show. This kit mounts the *Gate Hinges only* or *Tail lights only*, If doing both see kits below.

- POLISHED HEX, bed with taps . . . . .80246-PX . . . \$10.00 kit
- POLISHED BUTTON, bed with taps . . . . .80246-PB . . . \$12.00 kit
- PLAIN ZINC, stock . . . . .80246-Z . . . . \$4.00 kit
- POLISHED HEX, bed with NO taps . . . . .80245-PX . . . \$12.50 kit
- POLISHED BUTTON, bed with NO taps . . .80245-PB . . . \$14.50 kit

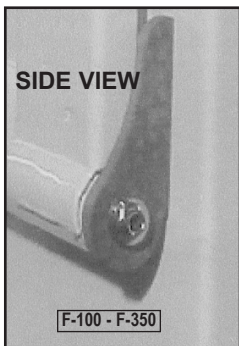
**GATE AND LIGHT MOUNTING BOLT KITS,** Tail Light bracket mounts on top and center in back of stake pocket (toward cab) Tailgate Hinge mounts on bottom and center on tail gate side.

- POLISHED BUTTON, bed with taps . . . . .80242-PB . . . \$18.50 kit
- POLISHED HEX, bed with taps . . . . .80242-PX . . . \$16.50 kit
- POLISHED BUTTON, bed with NO taps . . .80243-PB . . . \$18.50 kit
- POLISHED HEX, bed with NO taps . . . . .80243-PX . . . \$16.50 kit



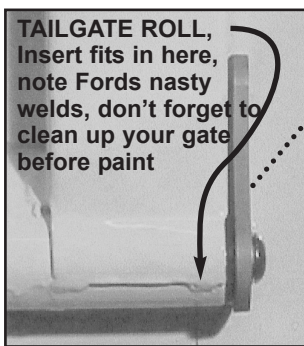
F-100 - F-350

See also Tail Light Bolt Kits Page 60



SIDE VIEW

F-100 - F-350



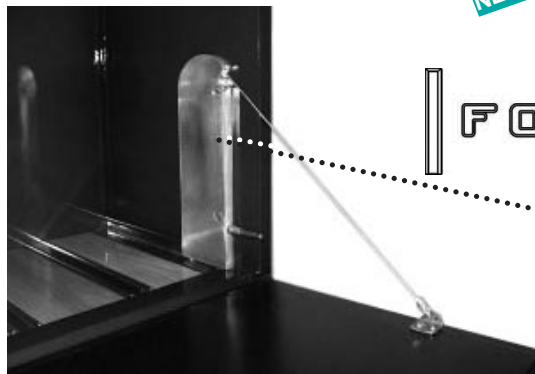
**TAILGATE ROLL,** Insert fits in here, note Fords nasty welds, don't forget to clean up your gate before paint

**DISAPPEARING TAILGATE HINGES,** Simple and very slick, these virtually disappear when painted to match. Complete kit includes both hinge plates, both plastic inserts for the tailgate roll and all hardware. Requires welding to bed post. . . . .0269 . . . . . \$69.95 pr. shown unpainted.

**NEW, Tailgate Hinges that also hold gate up at a 90 degree angle when open, no supports! Too new for pictures, see website.**

Stainless Steel Support Hinges! no chains, straps, or cables supporting the gate. Support is built into hinge, gate floats, clean custom look! very cool, very expensive (not shown) . . . . .0264 . . . . . \$349.00 pr.

NEW USA



**DIE CUT LETTERING & SIDE BAR TAILGATE TRIM**

- CHROME MYLAR . . . . .D-0265 . . . . . \$12.50 set
  - WHITE, BLACK, BLUE, RED, SILVER . . . . .D-0266-(color) . . \$10.00 set
  - F-250 Gate letters . . . . .F2-0266 . . . . . \$15.00 set
- We can make most any color, some extra cost, just ask.

**POWER TAILGATE KIT,** cable driven, raises and lowers tailgate at a touch of the button. All parts are aluminum or stainless. Includes switch, or get fancy and add the remote! (fits all 53-56 gates, not included)

- Power tailgate kit, . . . . .0280 . . . . . \$495.00 kit.
- Power gate Remote kit, ADD . . . . .0280-AR . . . . . \$150.00 kit



**TAILGATE HINGES,  
LETTERS, POWER**

**MID FIFTY F-100 PARTS**  
*midfifty.com*