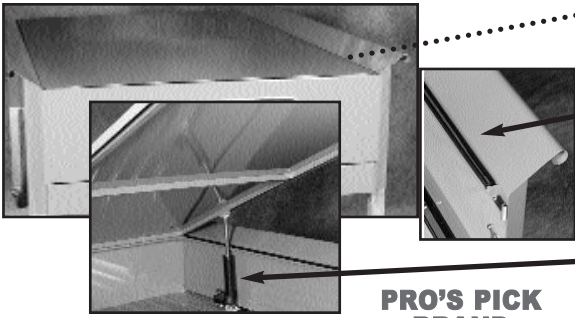


# PRO'S PICK HARD TOP, BED & TAILGATE



### HARD TOP,

- Pro's Pick rigid tonneau covers are 100% aluminum with stainless steel brackets & hardware, no worry about rust.
- Lid support structure has integrated rain gutters that direct rain water to a hidden drain and weatherstripping to keep out dust.

• Hard tops open and close electrically.

Includes electric lift motors and up/down switch for cab interior.

Remote control units are available for an additional . . . . . \$119.00 set

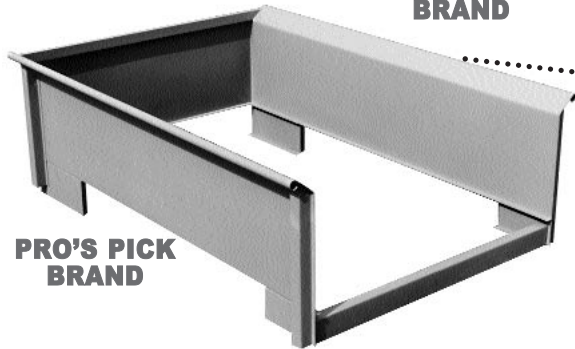
Pro's Pick Hard Top . . . . .0149-NO . . . . . \$1,450.00 kit

Pro's Pick Hard Top with electric lift . . . . .0149 . . . . . \$1,699.00 kit

Crate charge, add . . . . .CRATE . . . . . \$75.00 kit

Shipping must go truck freight . . . . . Approximately . . \$225.00 ea

**FOR WOW STRIPS SEE BED Pg. 126**



**PRO'S PICK BRAND**

### PRO'S PICK BEDS

- Fabricated from 16 gauge, satin coated steel (similar to galvanized). (same stuff we use on our beds)

- Plug welded construction (no spot welds to smooth out)

- Epoxy primed (so you can block sand and paint).

Bed sides, fronts and other pieces are available separately.

But, remember, All Pros Pick pieces are designed to work on Pros Pick beds only, if mixing with other bed pieces modifications may be required.

Teardrops are available to dress up the bed roll, add \$100.00 for 4 *Bed kit includes Sides, Front Panel, Rear crossmember and Center and Front x-member included but not shown in picture. Rear X-member included is different than shown if ordering tailgate hidden hinge kit with bed.*

**PRO'S PICK BED** . . . . .BED-PRO . . . . . \$1599.00 ea

**PRO'S PICK BED WITH TAILGATE** . . . . .BED-PRO-WG . . \$2399.00 kit

Shipping, truck freight . . . . . Approximately . . \$225.00 ea.

Call for a quote to your location, must be a business address

Crate charge, add . . . . .CRATE . . . . . \$75.00 ea.

All Pros Pick pieces are designed to work on Pros Pick beds only, if mixing with other bed pieces, modifications may be required.



**PRO'S PICK**

### TAILGATE WITH HIDDEN HINGE KIT

- Manufactured from 16 gauge satin coated steel, Pro's Pick tailgates ride on hinges that are hidden within the rear cross member. When viewed from the rear of the truck the tailgate appears to float in the opening with no apparent means of attachment.

- Hidden latch assemblies are housed within the tailgate itself and actuated by two small knobs on the inside of the gate. Nylon latch bolts and stainless steel strikers assure smooth, quiet operation.

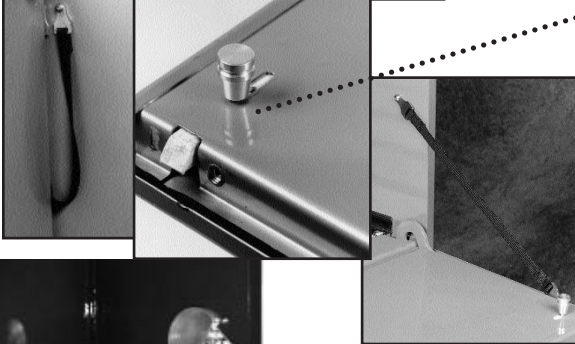
- These tailgate and rear sill assemblies can be installed on stock beds, some modifications may be required & Pros Pick rear crossmember must replace stock crossmember.

### PRO'S PICK HIDDEN HINGE & LATCH TAILGATE KIT includes:

- Smoothie gate • Rear cross member with hidden hinges • Hidden latch assemblies • Nylon check straps • Stainless steel hardware

. . . . .90251 . . . . . \$899.00 kit

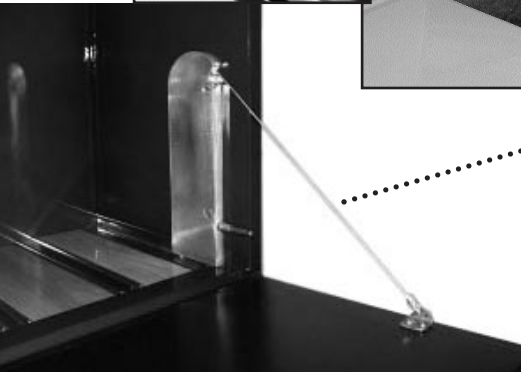
If purchased with bed . . . . .see above . . . . . \$800.00 add



- **POWER TAILGATE KIT**, cable driven, raises and lowers tailgate at a touch of the button. All parts are aluminum or stainless. Includes switch, or get fancy and add the remote! (fits all 53-56 gates, not included)

Power tailgate kit, . . . . .0280 . . . . . \$495.95 ea

Power gate Remote kit, ADD . . . . .0280-AR . . . . . \$150.00 kit



Pros-Pick beds do not accept roll pans listed in this book, if adding roll pan to one of these beds, call for help.



**PRO'S PICK BED & TAILGATE**

**MID FIFTY F-100 PARTS**  
*midfifty.com*