

LONG BED PARTS, STOCK STYLE

Pg. 143,
2012

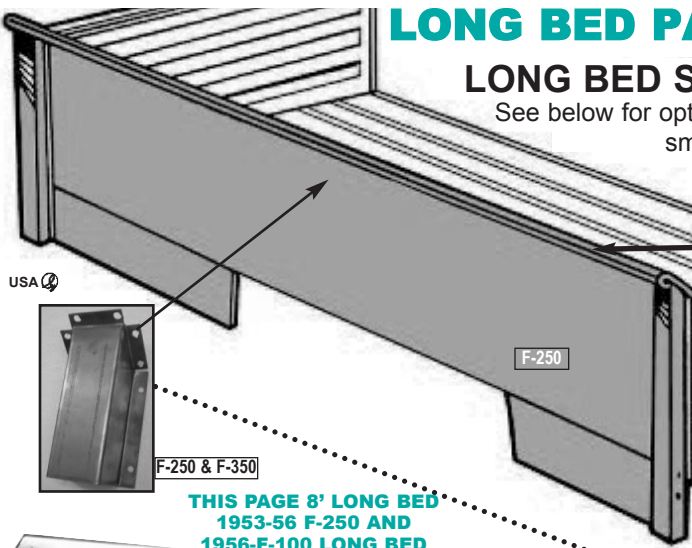
LONG BED SECTION 8 FOOT BED

LONG BED SIDES 14 gauge steel (short beds are 16 gauge)
See below for options and additions. Sides come straight (no wheel tubs)
smooth flare (no stake pocket holes) and
with front and rear pockets and extensions.
Fits 1956 1/2 ton Long bed and 1951-80 3/4 Ton

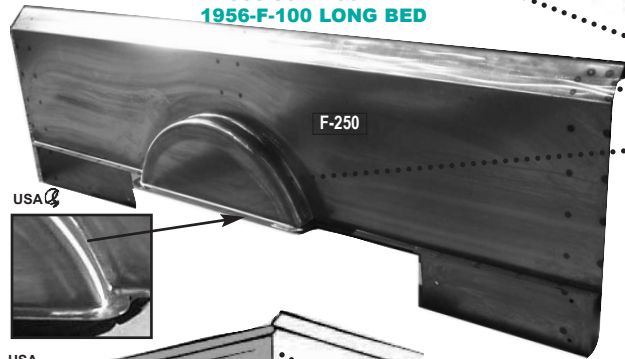
LONG BED SIDES, 8 ft bed

As above, Driver F2-0205-L . . . \$335.00 ea.
As above, Passenger F2-0205-R . . . \$335.00 ea.
if center stake pocket wanted add F2-0204-A . . \$35.00 ea.

****CUSTOM LONG & LOW SIDES:** made like short bed in height but long enough for long bed. Paired with stock short bed style front bed panel and x-members this bed looks great, just a long bed version of the stock short bed. ****not stock, see bed kits for more information**
Long & Low Side, Driver or Pass F2-0286-L . \$325.00 ea.



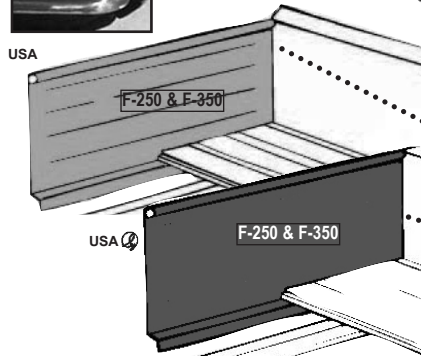
**THIS PAGE 8' LONG BED
1953-56 F-250 AND
1956-F-100 LONG BED**



Add Center pocket, per side F2-0204-A . . . \$30.00
Add Teardrop installed Front, per side F2-0201-AF . . . \$50.00
Add Teardrop installed Rear, per side F2-0201-AR . . . \$50.00
Add Wheel Tub Installed, per side F2-0219 . . . \$295.00
Includes 3" tub & installation, but choice of tub depth up to 9"
WHEEL TUBS, we offer many styles and sizes, both metal and fiberglass, also see pg.121

Original stamped wheel tubs are not available. Tub we install has nice rounded radius edge instead of sharp bend, note insert photo.

Bedsides must be crated & shipped truck freight see instructions.
CRATE CHARGES APPLY TO LONG BED SIDES



LONG BED FRONT BED PANELS, 8 & 9 ft. beds

Long bed front panels are shorter than bed sides, with a roll going across at top, meeting top of side. We make front panels in many ways. Call for help if needed.

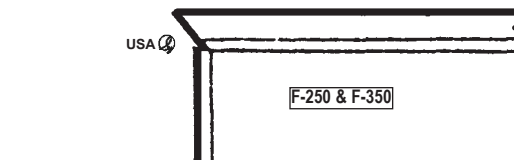
STOCK RIBBED STYLE F2-0201 \$195.00 ea.
Stock ribs and roll along top. Fits all Long beds.

SMOOTH STYLE F2-0202 \$195.00 ea.
same roll at top as above, but smooth face, no ribs.

POINTED STYLE F2-0200 \$225.00 ea.
Flat top and points to match bed flare, just like custom one we make for the small bed. Nice finished look for bed.

**THIS PAGE 8' LONG BED
1953-56 F-250 AND
1956-F-100 LONG BED**

For all assembly bolts see bolt page



LONG BED REPAIR PIECES, 8 ft bed.

*STAKE POCKET, FRONT F2-0221 \$60.00 ea.

*STAKE POCKET, CENTER F2-0223-C \$35.00 ea.

FRONT EXTENSION, DRIVER F2-0226-L \$25.00 ea.

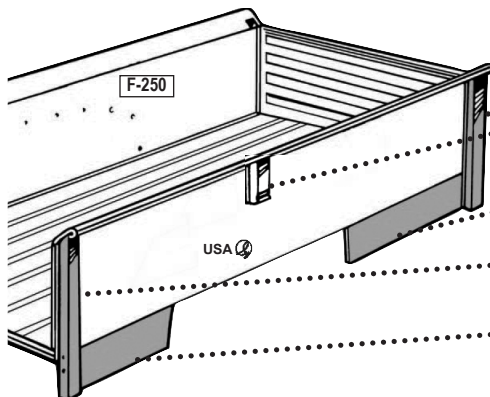
*FRONT EXTENSION, PASSENGER F2-0226-R \$25.00 ea.

STAKE POCKET, REAR, DRIVER F2-0225-L \$65.00 ea.

STAKE POCKET, REAR, PASSENGER F2-0225-R \$65.00 ea.

REAR EXTENSION, DRIVER F2-0227-L \$25.00 ea.

REAR EXTENSION, PASSENGER F2-0227-R \$25.00 ea.



**THIS PAGE 8' LONG BED
1953-56 F-250 AND
1956-F-100 LONG BED**

**MID FIFTY F-100 PARTS
1-800-252-1956**

LONG BED PARTS

Long Bed
page 143