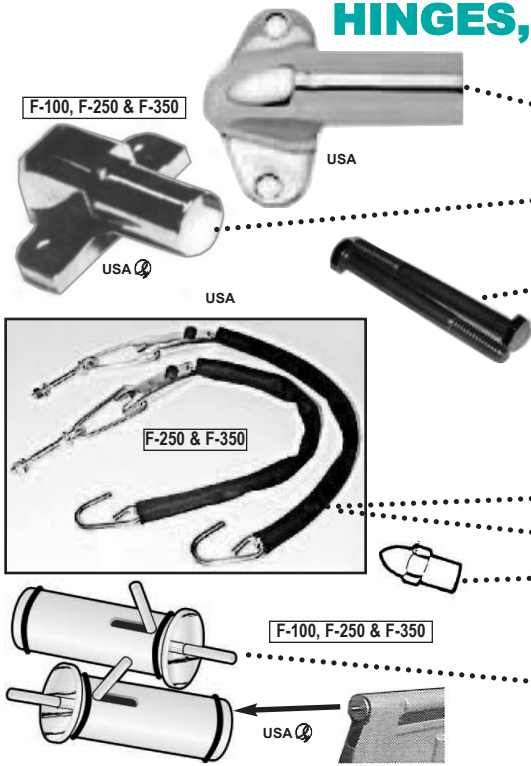


HINGES, LATCHES, COVERS & PANS

Pg. 145,
2012

LONG BED SECTION 8 FOOT BED



TAILGATE HINGE, F-100-F-350

POLISHED STAINLESS .0257-PS \$39.95 pr.

This is the best buy, nice stamping, nice polish.

STEEL REPRODUCTION, Black . . .0255-BL \$7.50 ea.

ALUMINUM, nice, squared off look0256-AL \$55.00 pr.

ALUMINUM MOUNTING BOLTS

Longer to go through hinge, Polished Button .80245-PB \$14.50 kit

TAIL GATE HINGE BOLT KITS, Polished Stainless

Includes ACORN NUTS where threads show. mounts **Hinges only**

POLISHED HEX, bed with taps80246-PX . . . \$10.00 kit

POLISHED BUTTON, bed with taps80246-PB . . . \$12.00 kit

PLAIN ZINC, stock80246-Z \$4.00 kit

POLISHED HEX, bed with NO taps80245-PX . . . \$12.50 kit

POLISHED BUTTON, bed with NO taps . .80245-PB . . . \$14.50 kit

STOCK CHAINS, Black Rubber coversF2-0255-Z . . \$135.00 pr.

POLISHED STAINLESS, Black CoversF2-0255-PS . \$150.00 pr.

EYE BOLT FINISH ACORN, Chrome, (Chains have different threads)
for Stainless Chains80252-PS \$4.00 pr.

for Stock Chains80252-PLN \$4.00 pr

TAILGATE ROLL THUMB LATCHES, we make 2 sizes, check your gate. Thumb pull is spring loaded and removable for installation. Inside roll of gate may need cleaned up. We added a notch to miss the weld. Made from billet aluminum, requires small slot in gate and small hole in bed side, which is hidden in stake pocket.

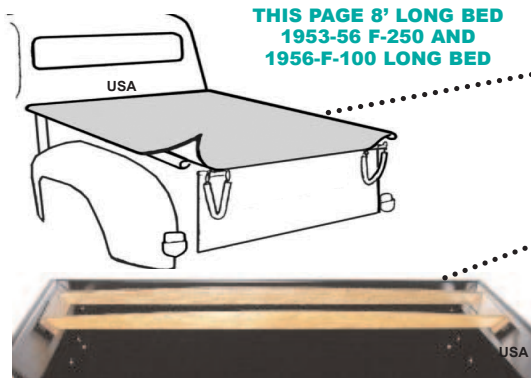
Fits gates with 1 1/4" ID roll (most)0261-M \$89.95 pr

Fits gates with 1" to 1 1/16" ID roll0261-T \$89.95 pr.

Grommet for bed side holes80261 \$1.00 pr.

Hidden Latches, Bed Roll Lights, Thumb Latches, Tear-drops, etc. that standard bed will also fit Long Bed, See standard section for all choices.

THIS PAGE 8' LONG BED 1953-56 F-250 AND 1956-F-100 LONG BED



**THIS PAGE 8' LONG BED
1953-56 F-250 AND
1956-F-100 LONG BED**

BED COVER, TONNEAU, Protect your bed and contents.

Velcro style, see standard section for more details & color choices.

8 foot bed, BLACKF2-0146 \$195.00 ea.

9 foot bed, BLACK (NINE FOOT BED)F3-0146 . . . \$255.00 ea

colors available, call for samples, add \$15.00 color charge.

TONNEAU SUPPORT, perfect for that long expanse on your long bed.

Has gentle subtle curve to keep water from accumulating in center, padded ends protect paint. Hand crafted of the finest oak.

Fits both 8 and 9 ft bedsF2-0144 \$99.95 ea

ROLL PANS, custom made for 8 & 9 ft. long beds, most styles we make for the standard bed are also available for the long bed, not all shown.

SMOOTH PANF2-7241 . . . \$195.00 ea.

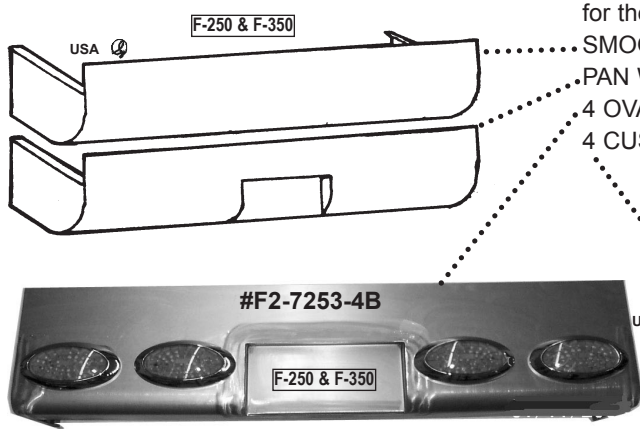
PAN WITH LICENSE BOXF2-7241-B . . \$225.00 ea.

4 OVAL LED LIGHTS & LICENSE BOXF2-7253-4B . \$375.00 ea.

4 CUSTOM LIGHTS LICENSE BOX \$450.00 ea.

shown with flame lights,
includes red lens (lens has protective cover in photo)

See roll pan page for more choices.



MID FIFTY F-100 PARTS
midfifty.com

**GATE MOUNTING
COVERS & ROLL PANS**

Long Bed
pg. 145