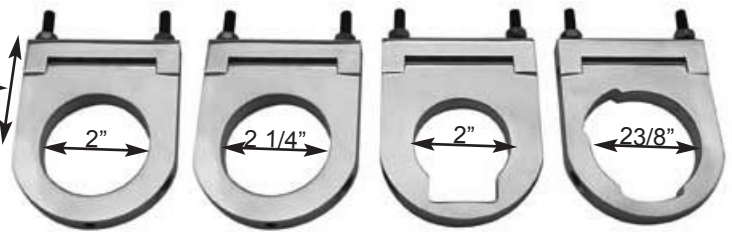
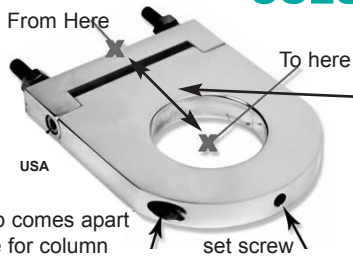


COLUMN DROPS

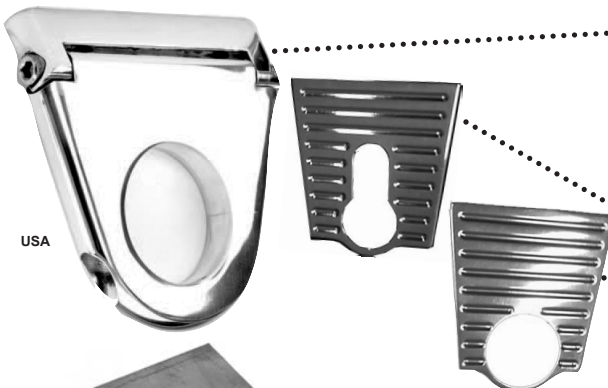
DROPS, most trucks need 4 1/2" but we carry 3.5" 4.5" and 5.5" Lengths
Measure from dash to center of column.



	PRICE	2" columns		2 1/4" columns		2" GM Van		2 3/8"	
		No Shift	With Shift	With Shift	With Shift	with wire co	GM styles	GM styles	GM styles
4.5" DROP ..BRUSHED	\$78.50	.4672-4B	.4674-4B	.4674-4B	.4674-4B	*4671-4B	*4671-4B	*4673-4B	*4673-4B
4.5" DROP ..POLISHED	\$78.50	.4672-4P	.4674-4P	.4674-4P	.4674-4P	*4671-4P	*4671-4P	*4673-4P	*4673-4P
3.5" DROP ..BRUSHED	\$78.50	.4672-3B	.4674-3B	.4674-3B	.4674-3B	*4671-3B	*4671-3B	*4673-3B	*4673-3B
3.5" DROP ..BRUSHED	\$78.50	.4672-3P	.4674-3P	.4674-3P	.4674-3P	*4671-3P	*4671-3P	*4673-3P	*4673-3P

5.5" Available also add 5 to part number

*Van and GM car styles are \$85.00 these days as not many are made

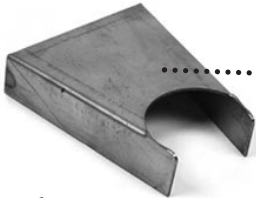


COLUMN DROP, a more sleek and smooth design, rounded edges, very high polish. Available in 1 3/4" and 2" hole size only. Flaming River. Drop lengths, 2 1/2" & 5 1/2", our trucks usually need 4.5.

- 4.50" Drop, 1.75 Hole, Polished SS4655-4 \$89.00 ea.
- 4.50" Drop, 2" Hole, Polished SS4656-4 \$99.00 ea.

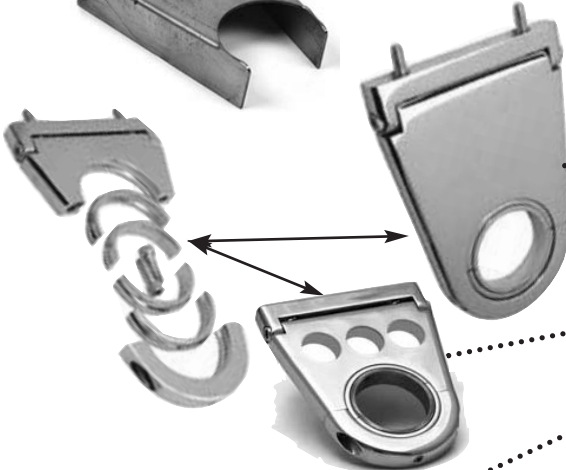
COLUMN DROP, made much like original but CUSTOM, high quality, unequaled polish and fit, with hardware, only a few left, then gone

- *STOCK or any 1 3/4" column4677-KP \$159.00 ea.
- 2" COLUMN4678-2 \$159.00 ea



GM VAN COLUMN

Welds to column, bolts to dash4679-VAN ... \$36.50 ea.

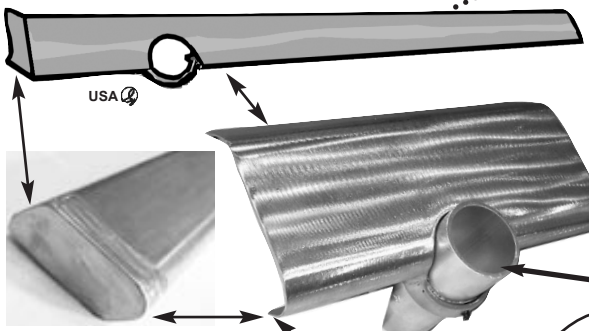


COLUMN DROP, ADJUSTABLE, isn't this the neatest thing! Great for those of us that start with one column and end up with another. Simply change the inner rings to fit your column. Chrome finish.

- 4.5" drop, most common for truck4670-4 \$59.95 kit
- 3.5" drop, used in some trucks4670-3 \$59.95 kit

see next page for matching floor mount.

- With 1 ACCESSORY HOLE4670-4A1 ... \$89.99
- With 3 ACCESSORY HOLES4670-4A3 ... \$99.99



DASH EXTENSION With BUILT IN STEERING COLUMN MOUNT

Extension includes custom built in column mount, very nice clean look, cheaper too! Extension is steel, note the nice rounded bottom edge that matches rounded bottom of original dash. Angles out from bottom of dash, perfect for all your add on controls, AC, etc.

- For 1.75" column or stock column7540-75 \$165.00
- For 2" column7540-2 \$165.00
- For 2.25 column7540-25 \$165.00
- Extension With just upper hole,
No inner lip & no supporting ring7534 \$99.00

**Extensions with custom holes available. Example AC Oval switch & louver holes. Extra bucks of course and might take a couple weeks.

Fake column
See nice curved bottom, note this is a cut out piece for demo, yours will have the end filled in like end picture.



COLUMN DROPS