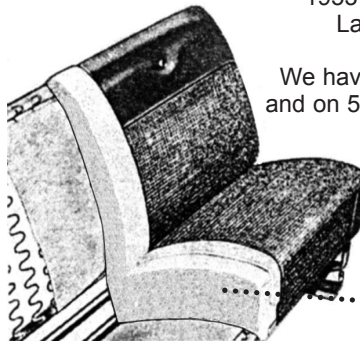
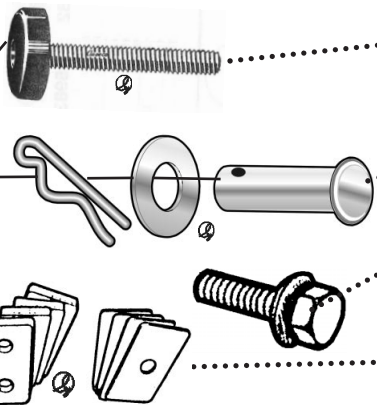
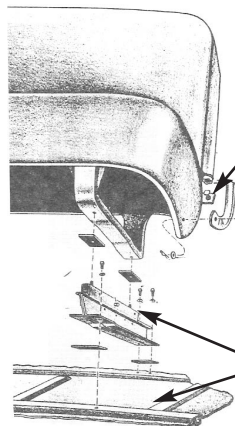
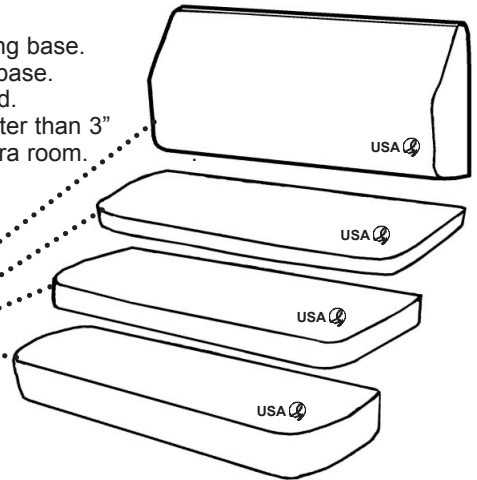


SEAT PARTS AND SEAT FOAM

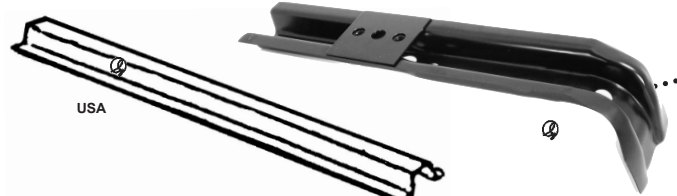


1953-54 Seat and some 1955's had 3" foam over a spring base.
 Late 55's and the 56 "driverized" seat was a 5" foam base.
 Our back rest fits both seats and is tapered.
 We have found on most 53-55's we like a 2" seat base better than 3"
 and on 56's the 3" seat base gives us larger folks a little extra room.

- Costs for foam products went up 86% due to "Katrina"
 Foam plant was never rebuilt and the prices never came
 back down, suprise, suprise! Plus foam is petroleum.
- TAPERED BACK REST .2171 . . . \$80.00 ea.
 - 2" SEAT FOAM2172-2 . . . \$60.00 ea.
 - 3" SEAT FOAM2172-3 . . . \$65.00 ea.
 - 5" SEAT FOAM2172-5 . . . \$85.00 ea.
- BURLAP BACKING, you need one piece for
 each piece of foam, 60" .2176 . . . \$8.50 ea.
 Foam pieces, Additional Shipping. . . \$15.00 ea.



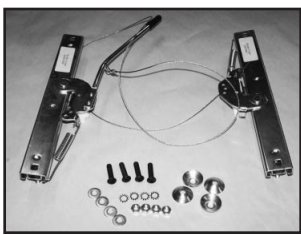
- SEAT FRAME BUMPER**, includes 2 nuts. This bumper adjusts
 backrest and clangs each time you move seatback, so replacing
 it with Rubber head, nice and quiet . . .82146 \$5.50 pr
- SEAT SWIVEL CLEVIS PIN**82145 \$2.90 pr
 holds back on, back swivels on pin, does both sides
- SEAT TRACK TO FLOOR BOLTS**82140 \$6.90 ea
 Note: 53-55 only uses one hole in front. 56 uses 2
- SEAT TRACK TO FLOOR INSULATOR**
 2 thick to floor, thin seat to track2179 \$7.50 set
 Note: 53-55 only uses one hole in front. 56 uses 2



- FLOOR BRACE, FITS LEFT OR RIGHT**, includes seat track
 mounting plate and taps. goes under floor.
 Fits Left or Right7787 \$25.00 ea.
 see also pg. 115
- CENTER BRACE**7788 \$28.50 ea.
 Goes between braces, some trucks did not have, Ford added as
 it helps with sagging and twisting cab floor.



- CUSTOM & ADJUSTABLE SEAT RISER**, pair does one seat.
 Universal, adjusts up and down, back and forth.
 Powder coated with a wrinkle black finish. Includes hardware
 2" (2.25" lowest, 2.5" highest)2177-2 . . . \$69.95 set
 4" to 6" (3 7/8" lowest, 6 5/8" highest) .2177-46 . . \$69.95 pr



- POLISHED HARDWARE** heads show so of course we polished.
 Included in our kits, shown in Slider & Riser kit below.
 also includes bolts to floor, not polished. does ONE riser
RISER HARDWARE, Polished82177 \$6.00 ea



- SEAT TRACK SLIDER SET**, handle releases seat to slide back
 and forth. Easy install and adjustment, cable pull. One set does
 one seat, bucket seats need two sets.
 Includes hardware2178-H . . . \$75.00 ea



KICK PANELS VISORS, REAR WALL

- SLIDER AND RISER KIT**, includes hardware, save \$20.00
 2" RISER SET2178-H2 . \$135.00 ea
 4-6" RISER SET2178-H4 . \$135.00 ea
 polished hardware included as shown.