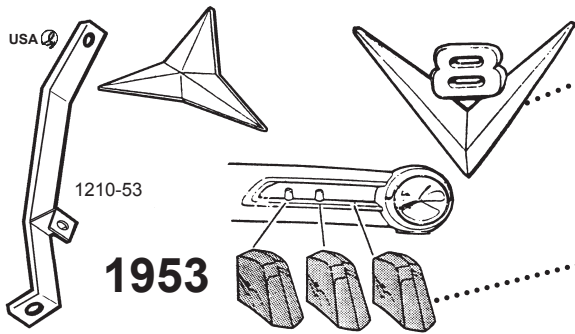
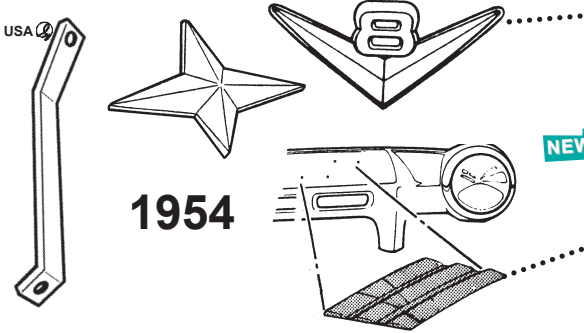


GRILLE & EMBLEMS



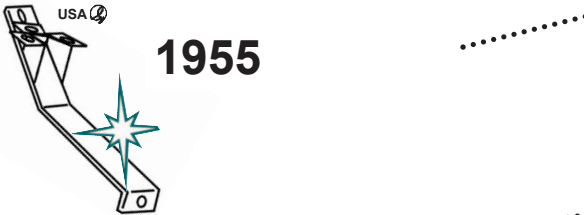
1953

- 1953 GRILLE EMBLEM, V81205-53\$52.50 ea.
- 1953 GRILLE EMBLEM, 6 CYL. STAR1206-53\$52.50 ea.
- V8 & STAR Hardware, included with emblem .81205 \$.50 set
Original grille was painted "Ivory"
- 1953 GRILLE & EMBLEM SUPPORT1210-53\$35.00 ea.
- SUPPORT BOLT KIT, Polished SS81210-53\$10.00 ea.
- 1953 "TEETH" DELUXE GRILLE TRIM1207-53\$165.00 set
3 left and 3 right with Template for drilling holes in grille if necessary.
- 1953 TEETH MOUNTING HARDWARE81207-53 \$.50 set



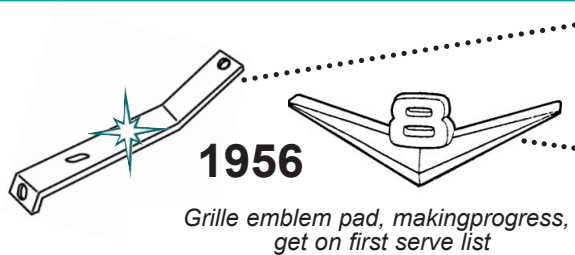
1954

- 1954 GRILLE EMBLEM, V81205-54\$52.50 ea.
- Original grille was painted "Ivory"*
- 1954 GRILLE EMBLEM, 6 CYL. STAR1206-54\$52.50 ea.
- V8 & STAR Hardware, included with emblem .81205 \$.50 set
Grille emblem pad, making progress, get on first serve list
- NEW** GRILLE TO GRAVEL PAN BOLTS81257-54 \$3.25 set
- 1954 GRILLE & EMBLEM SUPPORT1210-54\$35.00 ea.
- SUPPORT BOLT KIT, Plain SS81210-5456 \$4.50 set
- 1954 "HASH MARKS" **BACK IN STOCK!!!!**
- DELUXE GRILLE TRIM1207-54\$165.00 set
3 left and 3 right with Template for drilling holes in grille if necessary.
- HASH MARKS MOUNTING HARDWARE81207-54 \$.50 kit



1955

- 1955 GRILLE EMBLEM, V81205-55..\$52.50 ea.
- SIX CYLINDER STAR1206-55\$52.50 ea
- V8 & STAR Hardware, included with emblem .81205 \$.50 set
Original grille was painted "Off White"
- 1955 GRILLE & EMBLEM SUPPORT1210-55\$35.00 ea.
- SUPPORT BOLT KIT. Plain SS81210-5456 .. \$.4.50 kit
-1955 "GULL WINGS"
- DELUXE GRILLE TRIM1207-55\$175.00 set
- GULL WINGS MOUNTING HARDWARE81207-55 \$.50 kit



1956

Grille emblem pad, making progress, get on first serve list

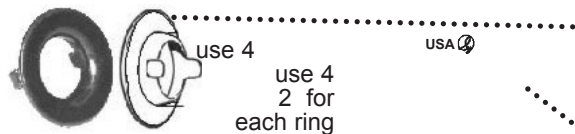
- 1956 GRILLE & EMBLEM SUPPORT,
- Polished SS1210-56PS .. \$32.00 ea.
- Black1210-56BK .. \$19.95 ea.
- Econo, Polished, quality not up to snuff .1210-56EC .. \$15.00 ea.
- SUPPORT BOLT KIT, Polished SS81210-5456 \$4.50 kit
- 1956 GRILLE EMBLEM, V81205-56\$52.50 ea
- To use 56 Grille in 1953-55 truck change air deflectors & buckets.
- 6 cyl had no emblem. Original Standard 1956 grille was "off white"
- 1956 Deluxe was only chrome grille in the series



1956 GRILLE, Reproduction

1956 GRILLE, Reproduction

- BLACK Primer1256-BK .. \$375.00 ea.
- CHROME1256-CH .. \$465.00 ea.
- Top picks, Grills with little defects are marked as 2's or 3's, passed on and picked up by competitors. or discounted as #2. \$50.00 off or #3. \$100.00 off.

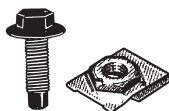


use 4
use 4
2 for
each ring

- WIRING GROMMETS, go in grille buckets and air deflectors
- REPRODUCTION of Original, Vinyl coated metal with tabs.
- 11/16" hole2233 \$3.95 ea.
- Replacements2320-L \$2.50 pr.
-1956 HEADLIGHT RING TO GRILLE CLIP ..82238 \$7.00 ea.

- GRILLE BOLTS, Use with Original J-nuts
- BLACK set of 687003-Z \$5.50 set
- POLISHED HEX87003-PX \$14.50 set
- POLISHED BUTTON .. .87003-PB \$16.50 set

ALSO SEE HEADLIGHT PAGE 54 & 55



- GRILLE MOUNTING BOLTS With J-NUTS
- BLACK set of 681256-Z \$7.50 set
- POLISHED HEX81256-PX \$14.50 set
- POLISHED BUTTON .. .81256-PB \$15.50 set
- 1only J-NUT & BOLT .. .87004 \$1.50 set



GRILL & EMBLEMS

1-800-252-1956