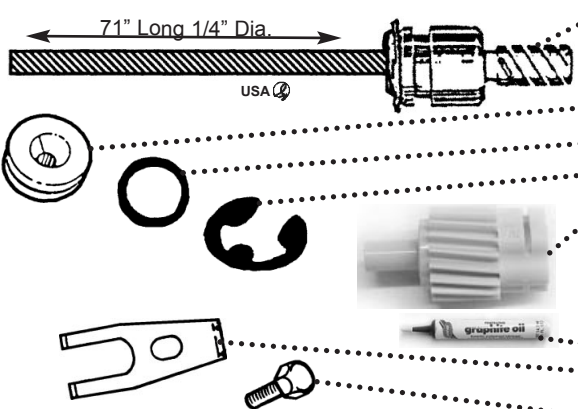


# SPEEDOMETER

All our cables include inner drive cable, outer housing, 5/8" speedo head screw on end and transmission end as shown. They fit most all aftermarket mechanical speedo heads like Motorsport, Dolphin, VDO, Autometer, etc. as well as stock.

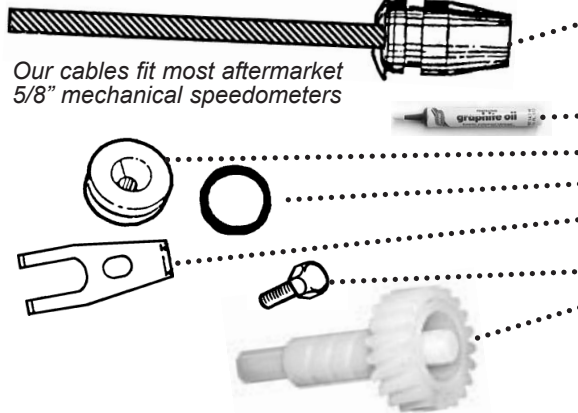
## FORD AUTO, C4, C6, FMX, AOD, or 3 & 4 SPEED LATE MODEL



- **SPEEDO CABLE LATE MODEL MANUAL** and C4-C6, FMX, AOD AUTOMATIC TRANS 71" .....2601 .....\$38.50 ea. 71" is best for F-100, we also make a 67" and a 76" if needed.
- **SPEEDO CABLE GROMMET** .....1617-G .....\$2.90 ea.
- **SPEEDO CABLE "O" RING** .....2604-B .....\$1.00 ea.
- **SPEEDO GEAR CLIP** .....2604-A .....\$1.85 ea.
- **SPEEDO GEARS, C4 & C6 TRANS, Most trucks need 18 teeth.**
- 18 TEETH, color, yellow .....2603-Y .....\$10.90 ea.
- 19 TEETH, color, pink .....2603-P .....\$10.00 ea.
- 16 TEETH, color, marron .....2603-M .....\$10.00 ea. more choices, even reverse drive, see website.
- **SPEEDO CABLE LUBE, (Tube)** .....2607 .....\$4.50 ea.
- **SPEEDO CABLE CLAMP** .....2605 .....\$4.90 ea. clamp is included with our cables, do not order separately
- **SPEEDO CLAMP BOLT & LOCK** .....82604 .....\$1.00 ea.

cables fit all aftermarket 5/8" mechanical speedos.

## ORIGINAL 3 SPEED MANUAL & ORIGINAL AUTOMATIC

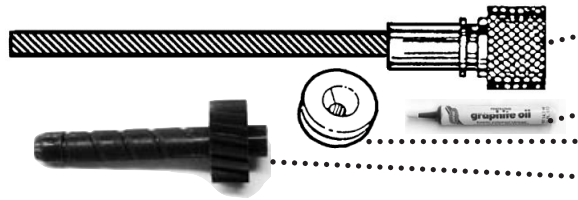


Our cables fit most aftermarket 5/8" mechanical speedometers

- **SPEEDO CABLE**
- STOCK 3 SPEED MANUAL, AUTOMATIC & OVERDRIVE
- With both ends & clamp .....2600 .....\$27.50 ea.
- STOCK 4 SPEED MANUAL .....2602 .....\$29.50 ea.
- **SPEEDO CABLE LUBE (Tube)** .....2607 .....\$4.50 ea.
- **SPEEDO CABLE GROMMET, Firewall** .....1617-G .....\$2.90 ea.
- **SPEEDO CABLE "O" RING** .....2604-B .....\$1.00 ea.
- **SPEEDO CABLE CLAMP** .....2605 .....\$4.90 ea. This clamp is included with our cables, do not order separately
- **SPEEDO BOLT & LOCK** .....82604 .....\$1.00 ea.
- **STOCK SPEEDO GEAR**
- WITH 19 TEETH .....2603-W19 .....\$15.00 ea.
- WITH 20 TEETH (most likely needed) ..2603-W20 ..\$15.00 ea.
- WITH 21 TEETH .....2603-W21 .....\$15.00 ea.
- WITH 22 TEETH .....2603-W22 .....\$15.00 ea.

Examples: Numbers inside ( ) are samples only, Fill in your findings this is just a rule of thumb, trans, tires,etc. effect it.  
 Truck faster (50 mph) than speedometer (45 mph) ..Subtract 1 tooth per 5 miles. ...If current gear is (20) you need 19 teeth  
 Truck slower (45 mph) than speedometer (50 mph) ..Add 1 tooth per 5 miles. ....If current gear is (20) you need 21 teeth

## CHEVY TRANSMISSIONS



- **SPEEDO CABLE**
- CHEVY TRANSMISSIONS .....2602 .....\$27.50 ea.
- **SPEEDO CABLE LUBE (Tube)** .....2607 .....\$4.50 ea.
- **SPEEDO CABLE GROMMET, Firewall** .....1617-G .....\$2.90 ea.
- **SPEEDO GEAR, CHEVY 350** .....2603-C350 .....\$18.50 ea.

## ELECTRONIC TRANSMISSION TO STOCK OR MECHANICAL SPEEDO HEAD



Newer transmissions have electronic pulse senders and would need drive gears installed to use cable driven stock style speedo heads. This reads the electronic signal and converts it to cable drive, cable then operates stock (or other mechanical) style speedo heads. Complete ready to install .....2609 .....\$339.00



- **SPEEDO HEAD, due in November of 2012!!!!**
- 1953-55 .....2606-M5355 .....\$150.00
- 1956 (shown) .....2606-M56 .....\$150.00
- **SAVE EVEN MORE, COMPLETE GAUGE SET, see pg 47** ..\$399.95



**SPEEDOMETER CABLES**

[www.midfifty.com](http://www.midfifty.com)