

TAIL LIGHTS, MOUNTING BRACKETS & BOLTS



HIDE-A-WIRE TAIL LIGHT BRACKETS Billet or Polished Aluminum
See Next page for Awesome Assemblies with Hide-a-wire Brackets

ANGLED LIKE REGULAR BRACKET has an angle down, see picture on next page, can be hung above, below or even upside down.
SMOOTH POLISHED2202-PA ... \$149.95 pr.

STRAIGHT, Comes straight out at 90 degrees, taillight sits higher
SMOOTH POLISHED not shown2202-90P ... \$159.95 pr.
BALL MILLED POLISHED2202-90B ... \$159.95 pr.

Tail light Brackets are mounted behind the post on the top two bolts, one of which goes through top of gate hinge. This was started with late '55 and '56 trucks to accommodate the larger shield style taillight and license plate bracket. License plate is actually partially hidden by the bumper in the original location.



FOR BEDS that HAVE TAPS, original style taps (nuts) in place.
Includes long and short bolts for both sides with acorn nuts.

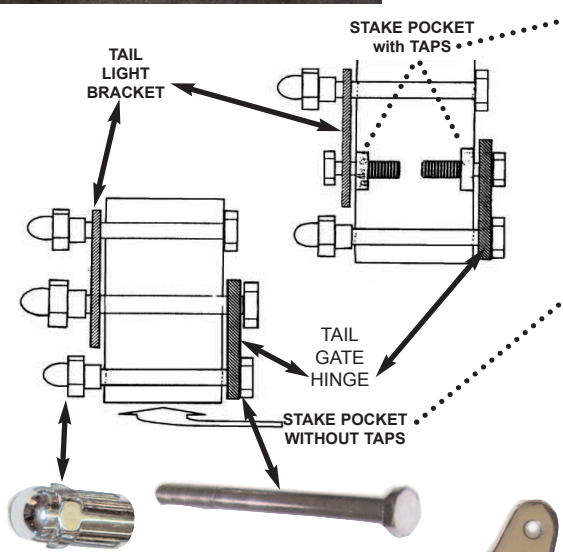
BOTH TAIL LIGHT AND GATE HINGE, Kit does both sides.
POLISHED HEX HEAD With ACORN80242-PX ... \$16.50 kit
POLISHED BUTTON With ACORN80242-PB ... \$18.50 kit

LIGHT ONLY or HINGE ONLY (2 long, 2 short kit does both sides.
POLISHED HEX With ACORNS80246-PX ... \$10.00 kit
POLISHED BUTTON With ACORN80246-PB ... \$12.00 kit
PLAIN ZINC PLATE with Hex nuts80246-Z \$4.00 kit

FOR BEDS that DO NOT HAVE TAPS, No original style taps in place.
All long bolts with acorn nuts.

BOTH TAIL LIGHT AND GATE HINGE Kit does both sides.
POLISHED HEX HEAD With ACORN80243-PX ... \$16.50 kit
POLISHED BUTTON With ACORN80243-PB ... \$18.50 kit

LIGHT ONLY or GATE HINGE ONLY all long bolts for both sides.
POLISHED HEX HEAD With ACORNS80245-PX ... \$12.50 kit
POLISHED BUTTON With ACORNS80245-PB ... \$14.50 kit



TAIL LIGHT BRACKET
POLISHED STAINLESS2205-PS ... \$15.00 ea.
CHROME2205-CH ... \$12.00 ea.
BLACK2205-BL ... \$10.00 ea.

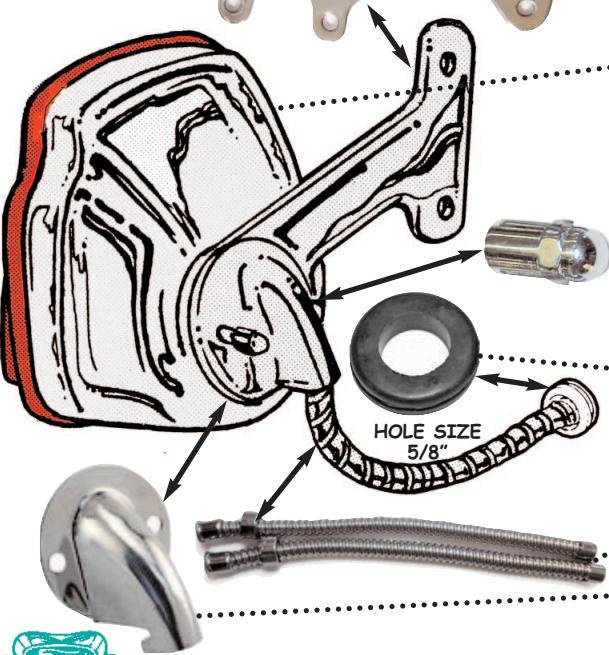
TAIL LIGHT BODY ASSEMBLY NO RED LENS, order choice of lens on page 58, or check out Awesome Assemblies.
Includes: Body, Socket & pigtail, License light lens if applicable.
BLACK, SOLID2200-BL ... \$20.00 ea.
BLACK with LICENSE LIGHT2201-BL ... \$20.00 ea.
CHROME, SOLID2200-CH ... \$30.00 ea.
CHROME, With LICENSE LIGHT2201-CH ... \$30.00 ea.
POLISHED STAINLESS, SOLID2200-PS ... \$32.00 ea.
POLISHED SS, W/LICENSE LIGHT2201-PS ... \$32.00 ea.

DEEP ACORN NUTS, CHROME (4)82203 \$6.00 set.
covers threads on back of tail light

LIGHT WIRE TO BED GROMMET82214 \$2.50 pr.
Protects and holds wires in bed panel

FLEX WIRE COVERS, STAINLESS2214 \$7.75 pr.
BLACK2214-BLK \$5.50 pr.

SOCKET SHIELD
POLISHED STAINLESS2215 \$12.50 ea.
BLACK2215-BL \$10.00 ea.



TAIL LIGHTS

MID FIFTY F-100 PARTS
www.midfifty.com