



ULTIMATE AWESOME ASSEMBLY TAILLIGHTS

Includes: Smooth Angled Hide-A-Wire brackets, 2 Polished Stainless Lights, 2 LED Lens with Chrome Script & all hardware.
 Both Solid lights92212 \$289.00 kit
 One Solid & One for Licence plate, includes LED Red lens and LED white license lens92213 \$329.00 kit

AWESOME ASSEMBLIES, come with 2 solid taillights as shown in photo, OR, 1 solid & 1 with licence light, and a licence plate bracket.

AWESOME ASSEMBLIES, Come with Ford Script for the lens on plain Red lens or LED lens. Blue dots are additional see end of this column. For Hide-a-Wire see above ULTIMATE AWESOME TAILLIGHT.

To have a License light light on one side, means, Driver side WITH License Lens And License Plate Bracket, One Passenger side without, Solid.
 *Look for With License Lens

LED Red Lens and White License lens must be ordered together as they are wired together. License plate bracket added to assembly.

POLISHED STAINLESS AWESOME ASSEMBLIES, Pair **POLISHED Complete with Red Lens with Script** as shown at left.

Both SOLID, No License Lens92200-PS . . . \$149.95 pr.
 With License Lens92202-PS . . . \$159.95 pr.

POLISHED Complete with Red Lens, Script and BLUE DOT
 Both SOLID, No License Lens92201-PBD . \$159.95 pr.
 One With License Lens, one without92202-PBD . \$169.95 pr.

POLISHED Complete with Red LED lens & script
 Both SOLID with LED Lens92209-PS . . \$199.95 pr.
 With License Lens, with LED Lens92208-PLED \$239.95 pr.

CHROME AWESOME ASSEMBLIES
 Both SOLID, No License Lens92200-CH . . \$139.95 pr.
 WITH License Lens92202-CH . . \$149.95 pr.
 Both SOLID, with LED Lens92209-CLED \$189.95 pr.
 With License Lens, with LED Lens92208-CLED \$229.95 pr.

BLACK AWESOME ASSEMBLIES
 Both SOLID, No License Lens92200-BL . . \$109.95 pr.
 WITH License Lens92202-BL . . \$119.95 pr.
 Both SOLID, With LED Lens92209-BLED \$159.95 pr.
 With License Lens, with LED Lens92208-BLED \$229.95 pr.

ADD BLUE DOTS, To Both Lights92200 (BD) . . \$10.00 pr.

ADD HIDE A WIRE BRACKETS, See above Ultimate Awesome assemblies or pick your favorite Light set and add choice of Brackets.

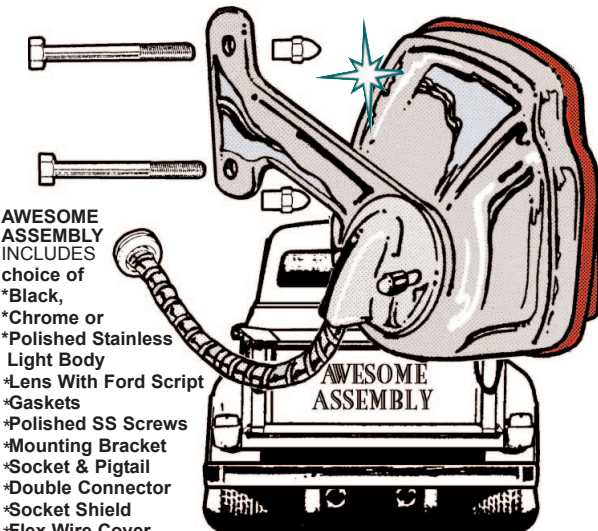
ADD HIDE A WIRE Angled Smoothadd (HA) . . . \$135.00 pr.

ADD HIDE A WIRE Straight Ball Milledadd (HB) . . . \$145.00 pr

ADD HIDE A WIRE Straight Smoothadd (HP) . . . \$145.00 pr

LED FLASHER, Use with LED Lights2921 \$9.50 ea.
 Led's do not pull enough for standard flashes, however if you are using standard bulbs in front turn signals it is enough.

BRAKE PULSATER, 300 pulses per minute. simple, insert in brake light wire, use standard or LED bulbs, 1.75 x .90 x 1.12, fits most anywhere. Added safety!!2922 \$37.50



- AWESOME ASSEMBLY INCLUDES** choice of
- *Black,
 - *Chrome or
 - *Polished Stainless Light Body
 - *Lens With Ford Script
 - *Gaskets
 - *Polished SS Screws
 - *Mounting Bracket
 - *Socket & Pigtail
 - *Double Connector
 - *Socket Shield
 - *Flex Wire Cover
 - *Acorn Nuts at Light
 - *Mounting Bolts with Acorn Nuts

LED LENS
 54 led lights in beautiful star pattern.
 Super bright!!!



MID FIFTY F-100 PARTS
 1-800-252-1956

AWESOME ASSEMBLY TAIL LIGHTS

