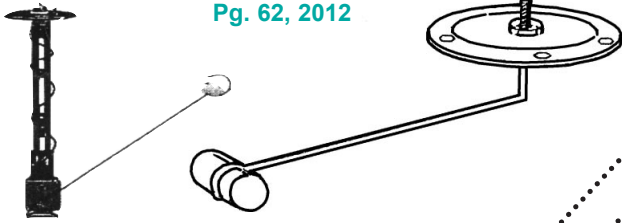


GAS SENDING UNITS



GAS SENDING UNITS:

Truck is 1953-55

- Has 6 Volt system, original gauge & tank.
- Is 12V, Stock Tank & Good Original Gauge.
- Is 12V, Aftermarket Tank, Good Orig. Gauge.
- Is 12V, Any Tank, Stock gauge

Truck is 1956

Only good one is our new Gauge & Sender.
There are senders out there that say they work 1956 stock gauges, They Don't !!

NEW TECHNOLOGY STOCK FACE GAUGES



1956



1953-55

NEW STOCK STYLE GAUGES & SENDERS NOW AVAILABLE
See page 47, call before ordering any senders if in doubt.

SENDER FOR 6 VOLT, 1953-55 ORIGINAL GAUGE, STOCK TANK,
Works great, but for 6 Volt truck only . . .6V-1603 \$45.00 kit

SENDER for 1953-55 ORIGINAL GAUGE, with STOCK TANK
12V Reproduction, ohm 78-empty, 10-full . . .1607-5355 . . . \$45.00 kit

SENDER for 1953-55 ORIGINAL GAUGE with STOCK TANK
12 VOLT, works 100% of the time This is a 6 volt style set up with Hi-tech Electronic Voltage control, Voltage control box will need mounted behind dash. (Better choice would be our new Gauge and Sender set, See below).91608 \$108.00 kit

SENDER for 1953-55 STOCK GAUGE with REPLACEMENT TANK
For new tanks with smaller sender hole, any depth tank. ohm 10-78
ADJUSTABLE HEIGHT SENDER1605 \$56.50 kit

SENDER TO GAUGE WIRE3209-G \$4.00 ea

REPRODUCTION SENDER AND GAUGE KIT, **BEST BUY**
Our new Gauge Reproduction (see also page 47) When installed gauge looks like original but has all new technology inside, is accurate and dependable. Gauge and Sender come together, ohm 33-240. Sender will fit stock large hole or replacement small hole tanks and depth is adjustable, everything is included, this is the best buy.

1953-55 Gauge and Sender2691-5355 . . . \$95.00 kit

1956 Gauge and Sender2691-56 \$95.00 kit

NEW!! FLOATLESS SENDER, little expensive but WOW, WORKS!
and easy adjustment for tank. Order by length, then simply cut to fit
To 12" for Underbed and 53-55 stock tank 1609-12 \$99.95 ea
To 18" for 1956 Stock and Tall tanks1609-18 \$99.95 ea

AFTERMARKET GAUGES (See page 45-47) such as VDO, Motorsport, Dakota Digital, Dolphin, Autometer, etc.. should come with, and must use, sender with matching ohms. We can match most any gauge. Aftermarket gas senders have small 5 hole mounting plates, to use in a stock tank you will need the following adapter kit.

Senders and gauges often do not work after storage and simply need cleaned, scrub the contacts gently with contact cleaner and one of those erasers on an ink pen. **CHECK GROUND!!!!**

GAS SENDER ADAPTER KIT1605-ADPT . \$19.50 kit.
Adapts small 5 hole aftermarket senders to stock large 6 hole tanks. Use with our 1605, or any aftermarket sender. Comes with gasket and hardware to fit most any tank made today.

GAS SENDING UNIT GASKET1604-CRK . . \$2.50 ea.
Cork & rubber combination, this seems to be the best for sealing.

AFTERMARKET SENDER GASKET1627 \$3.00 ea

GAS SENDER HARDWARE KIT81601 \$2.50 kit
Includes ground star washer and wire end.

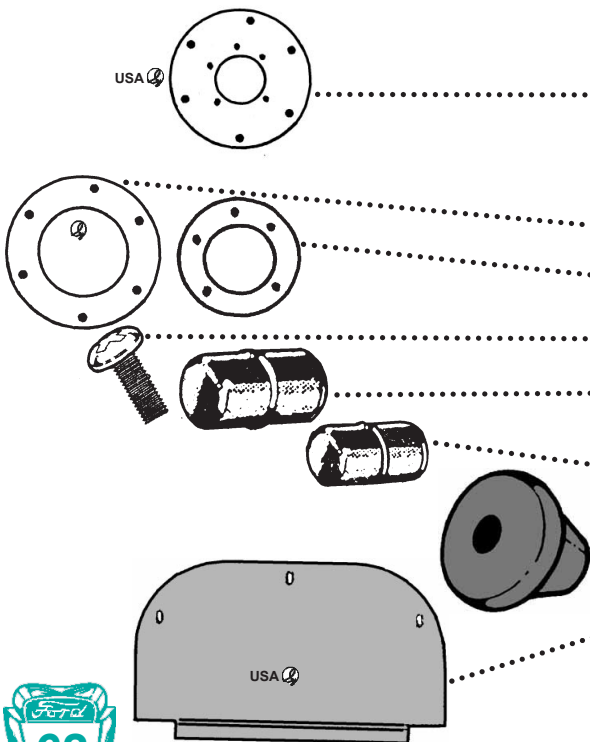
GAS FLOATS
To fit ORIGINAL UNITS, Large diameter . . .1602-LG . . . \$10.00 ea.
Has 2 rings for installing in badly made tanks sold by others.
SMALL To fit UNITS made after 561602-SM . . . \$10.00 ea.

WIRE THROUGH FRAME GROMMET . . .2234 \$2.20 ea.

FUEL LINES AND FLEX HOSES, see page 64-65

GAS SENDER INSPECTION PLATE1633 \$20.00 ea.
Fits both original and reproduction floor panels. 1953-55 driver side.

GAS INSPECTION PLATE SCREWS81633 \$1.00 set



GAS SENDING UNITS

MID FIFTY F-100 PARTS
midfifty.com