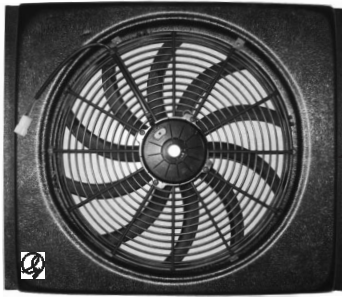
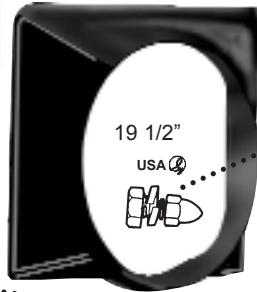


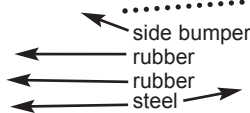
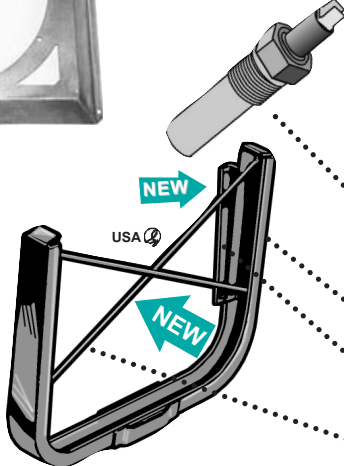
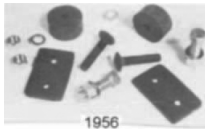
RADIATOR ACCESSORIES



USA



all Shrouds are oversize shipping.



GOES UNDER CORE SUPPORT

RADIATOR SHROUDS, a must for proper cooling. Our custom shrouds need only 2 1/2" clearance and can decrease coolant temperature 30%.

NEW ABS SHROUD, leave black or paint, perfect fit, easy install, pre-drilled to mount fan as shown2313 \$125.00 ea.

ABS SHROUD & FAN KIT, includes Fan, ABS Shroud, hardware & engine temp wiring kit92313 \$285.00 kit

ABS SHROUD with 19" hole, use with engine fan or mount electric fan to radiator, not shown2318 \$119.00 ea.

STOCK RADIATOR SHROUD 8 cyl.dropped style (oversize) ABS, Black 5" deep, 19.5" opening . . .2314-A \$99.00 ea.

RADIATOR SHROUD MOUNTING BOLTS, Polished include acorns
 Polished Stainless Hex Head82315-PX . . \$14.50 kit
 Polished Stainless Button Head82315-PB . . \$15.50 kit
 Plain Stainless Hex, no acorns82315-SS . . \$6.50 kit
 Zinc, no acorns82315-Z \$3.00 kit

CUSTOM METAL SHROUDS

PLAIN STEEL, 16" Hole2316 \$158.50 ea.

With FLAMES2312-FLM . . \$179.00 ea.

With Triangles2312-TR . . \$179.00 ea.

POLISHED STAINLESS, 16" Hole . . .2315-16 . . \$185.00 ea.

ALUMINUM, 16" Hole (Alum rad only) .2317-A . . . \$120.00 ea.

ALUMINUM, Polished,(Alum rad only) .2317-AP . . \$145.00 ea.

FAN TO METAL SHROUD BOLT KIT .82316 \$8.50 set
SHROUD TO RADIATOR, see above . . .82315-(finish)

TEMPERATURE SENDING UNIT Fits Original engine, use 1956 style for 12v 53-55 or use Electronic volt reducer with 6V sender. Flathead V8, use one single post & one double post, if 12V use Electronic volt reducer. Never use Teflon tape. Self resetting when cooled to 120, Original gauge rests on hot. Better yet, use new gauge kit pg 47

12 Volt2940 \$58.00 ea.

6 Volt single post, pass side or 6 cyl6V-2941 . . . \$50.00 ea.

6 Volt double post, driver side flat head . . .6V-2942-2 . . \$50.00 ea.

RADIATOR SADDLE, 54-56 Reproduction . . .2331-5456 . \$169.95 ea.
 Can be used on 53 by changing to 54-55 or 56 air deflectors. (oversize)

SADDLE ANGLE BRACE, Left2332-L \$20.00 ea

Right2332-R \$20.00 ea

RADIATOR SADDLE X-ROD BRACE2333 \$15.00 ea.

RADIATOR SUPPORT KIT

1953-552310-5355 . . \$17.50 kit

19562310-56 . . . \$17.50 kit

RADIATOR SUPPORT METAL INSERT2311 \$6.00 ea.

Made in stainless because all we ever found was unidentifiable rust.

The following seals will help direct air through radiator rather than around the sides, a big cooling factor when idling.

HOOD TO RADIATOR SEAL HANGER

Steel "C" channel on underside of hood . . .2309 \$6.00 ea.

HOOD TO RADIATOR SEAL2306 \$6.00 ea.

RADIATOR TO VALANCE SEAL2307 \$6.75 ea.

UPPER RADIATOR VALANCE2335 \$139.95 ea.

Hood locking panel, goes over radiator from fender to fender

MODIFIED VALANCE FOR CROSSFLOW RADIATORS See Pg 105

VALANCE BOLTS, Polished Hex81560-PX . . \$28.50 set

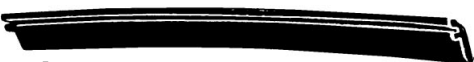
VALANCE BOLTS, Polished Button81560-PB . . \$29.50 set

FENDER AND RADIATOR ALIGNMENT ROD, See also page 105

STAINLESS2054-SS . . . \$29.00 ea.

POLISHED STAINLESS2054-PS . . . \$38.50 ea.

RADIATOR TO GRAVEL PAN SEAL2308 \$6.60 ea.



USA



Fender alignment rods, brackets, bolts, found on page 105
 THESE RODS AND BRACKETS ARE IMPORTANT