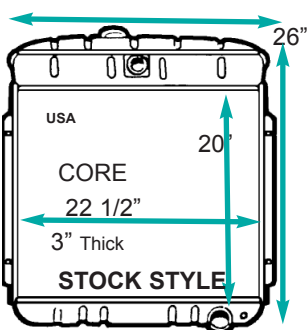


RADIATORS



COPPER-BRASS RADIATORS

Top Outlet 1 1/2"	Bottom Outlet 1 3/4"	Black \$395.00	Polished Top \$485.00
CENTER	PASSENGER	91050-4	91050-PT
CENTER	DRIVER	91070-4	91070-PT
DRIVER	PASSENGER	91055	91055-PT
DRIVER	DRIVER	91076	91076-PT
PASSENGER	PASSENGER	91056	91056-PT
PASSENGER	DRIVER	91075	91075-PT
FLAT HEAD			
BOTH Straight	BOTH Straight	91040-90	91040-90PT
BOTH Angled	BOTH Angled	91040-45	91040-45PT



ALUMINUM RADIATORS Stock style, Looks like original but ALUMINUM.

Polished or Un-Polished, great Radiator, great Price, Include a trans cooler built in Cools engines up to 600 hp. For engines over 600 hp give us a call. New lower prices, perfected, able to run better quantities, see, some things do go down!!

UP TO 600 HORSEPOWER ENGINES: ALUM. \$450.00 POLISHED \$585.00

Top Center	Bottom Driver	.91086-CD	.91086-CDAP
Top Center	Bottom Passenger	.91086-CP	.91086-CPAP
Top Driver	Bottom Passenger	.91086-DP	.91086-DPAP
Top Driver	Bottom Driver	.91086-DD	.91086-DDAP
Top Passenger	Bottom Driver	.91086-PD	.91086-PDAP
Top Passenger	Bottom Passenger	.91086-PP	.91086-PPAP
FLAT HEAD, 2 top & 2 bottom outlets, straight		.91086-90A (add 25.00)	.91086-90AP

SHROUD, Aluminum, for this radiator accepts fans below or most aftermarket 16" styles
ALUMINUM . . .2317-A. . \$120.00 ea. **POLISHED Aluminum** . . .2317-AP. . \$144.50



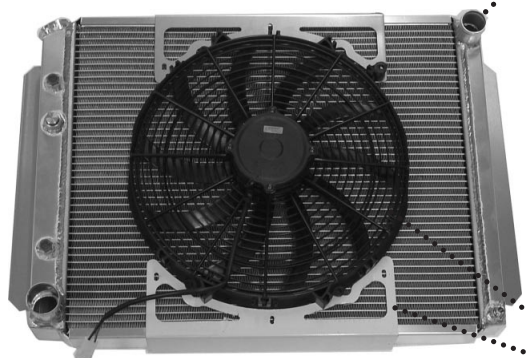
ALUMINUM CROSS-FLOW RADIATOR Econo, This is a nice radiator, Fits in Saddle with side brackets removed. 2 rows of 1" tubes, core 18.25 x 22. Not for engines over 600 hp, call, no room for everything here.

Top Driver, Bottom Passenger	.91098-DP	\$.465.00
Top Passenger, Bottom Driver (shown)	.91098-PD	\$.465.00

PACKAGE DEAL, as shown includes aluminum shroud and fan
 Top Driver, Bottom Passenger91099-DP \$599.00
 Top Passenger, Bottom Driver91099-PD \$599.00

SHROUD AND FAN package (just fan & shroud) .92340 \$235.00

NEW RADIATORS MADE FOR LS1's and LT1's, see below



ALUMINUM CROSS-FLOW RADIATOR A class piece, (not universal fit, with ugly welds, we can sell those, but don't like them.) Super nice, Quality & Satisfaction Guaranteed. Designed and built exclusively for Mid Fifty Standard size, bolts directly to original mounting brackets.(small block) Large, Remove original saddle angle brackets, Radiator mounts directly to saddle, special mounts are on radiator. (Big Block or heavy cooling)

STANDARD, Top Driver, Bottom Passenger	.91090-DP	\$.535.00
Top Passenger, Bottom Driver	.91090-PD	\$.535.00
LARGE, Big Block, Top Driver, Bottom Passenger	.91091-DP	\$.535.00
Top Passenger, Bottom Driver (shown)	.91091-PD	\$.535.00

LS1 ENGINE, both outlets on pass, steam port . .91092 \$599.00
LS1 ENGINE, Top Driver, Bottom Passenger91093 \$599.00
LT1 ENGINE, Reverse flow, special for LT191094 \$599.00

ELECTRIC FAN, See page 785031 \$110.00

FAN MOUNTING BRACKET, For this crossflow . .5034 \$69.95
 Includes all mounting hardware. Brushed Stainless.

MODIFIED VALANCE FOR CROSSFLOW RADIATORS SEE NEXT PAGE



ALUMINUM RADIATORS

www.midfifty.com