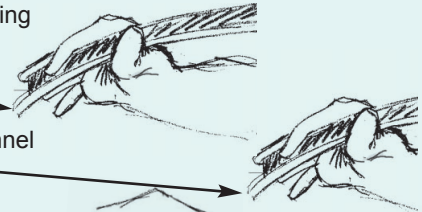
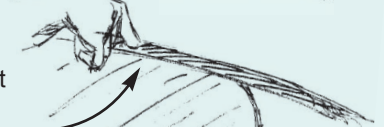


FELT CHANNEL FORMING INSTRUCTIONS

Gently bend in a massaging manner toward end until both stainless beads slide forward.



If bead is caught on channel material, clip channel away from bead until it moves freely



Secure glass in upright position. Locate and match up center point of glass and channel



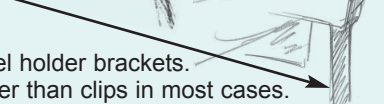
Smooth and massage channel into gentle curve.



Make sure bead ends are moving out and channel is sliding along entire length

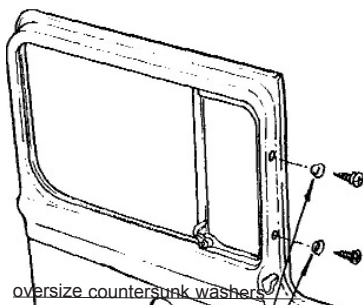
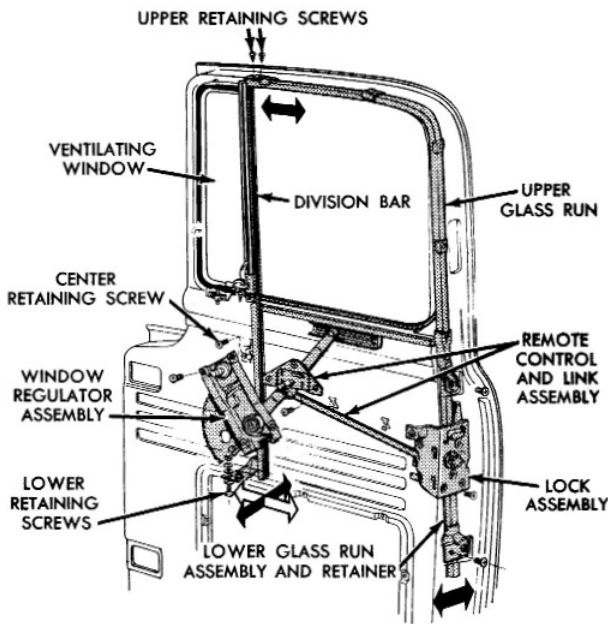


Continue to shape against glass and straight down:



Clip off excess stainless bead
Install formed channels in channel holder brackets.
Glue into place. Glue works better than clips in most cases.

Tip, if using clip in or clips, do not file down hole in bracket, file down clip for best results, again, glue works even better.
To install cut a piece of 1/4" wood, put it in the channel and tap.



oversize countersunk washers

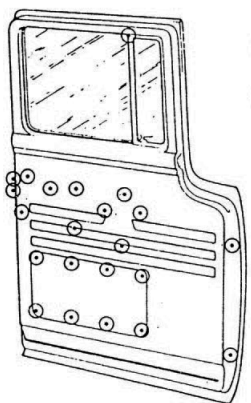
1956 VENT FRAME SCREW WASHERS, we love old service bulletins here is one that explains that early production 1956 truck doors had oversize screw holes in this location. If yours is one, this is the fix. 4 pcs. Vent frame oversize washers81145-W . \$.65 set

NEW



REPAIR WASHER & BOLT for LATCH, DOOR & WINDOW REGULATORS, special made washer to reinforce "walled" out holes in any of the countersunk locations on door, includes locking bolt.81107 . \$.1.70 ea.

ALL KITS ARE FOR BOTH DOORS (Except door hinge) ALSO SEE INDIVIDUAL APPLICATIONS



Kit name & description	ZINC PLATE	STAINLESS	POLISHED SS
DIVISION BAR INSTALL KIT	83152-Z \$2.50	83152-SS \$3.00	83152-PS \$5.90
CHANNEL BRACKET INSTALL KIT	83153-Z \$3.00	83153-SS \$4.00	83153-PS \$6.90
WINDOW REGULATOR SCREW KIT	81151-Z \$3.50	81151-SS \$5.50	81151-PS \$6.90
DOOR REGULATOR SCREW KIT	81090-Z \$2.50	81090-SS \$3.50	81090-PS \$5.00
DOOR LATCH SCREW KIT, ORIGINALS	81108-OZ \$3.00	81108-OSS \$5.00	81108-OPS \$7.50
DOOR LATCH SCREW KIT, REPLACEMENTS	81109-RZ \$3.00	81109-RSS \$5.00	81109-RPS \$7.50
OUTSIDE DOOR HANDLE SCREWS	81124-Z \$1.00	81124-SS \$1.50	81124-PS \$2.00
DOOR HINGE BOLT SET, Does ONE hinge	81129-B (shown) \$5.00	81129-SS \$6.75	81129-PX or PB \$8.50
HINGE INSPECTION PLATE SCREWS	81178-Z \$3.00	81178-SS \$4.50	81178-PS \$5.90
DOOR INSPECTION PLATE SCREWS	81118-Z \$3.50	81118-SS \$6.90	81118-PS \$10.50
COMPLETE DOOR SCREW SET	91120-Z \$20.00	91120-SS \$32.00	91120-PS \$46.00



Includes: ALL ABOVE EXCEPT DOOR HINGE BOLTS
For both doors, Latch screws, Window regulator screws, Door regulator screws, Outside door handle screws, Inspection plate screws, Hinge cover plate screws, Division bar & Channel screws.

MID FIFTY F-100 PARTS
1-800-252-1956

CHANNEL FORMING DOOR BOLT KITS

