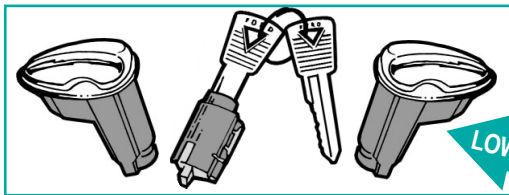


# DOOR LOCKS & LATCH CONVERSION

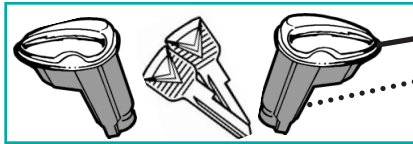


**LOWER \$\$**

**DOOR LOCKS AND IGNITION SET**, Includes keys  
 2 MATCHING DOORS & IGNITION .....1130-3PC ....\$50.00 set  
**SEE ALSO PANEL TRUCK SECTION PAGE 184**  
**SEE ALSO IGNITION PAGE 53**

**REPO'S ARE DONE, NEW LOWER PRICES !!!**

*Some things do go down in price, precious few for sure, but some!*

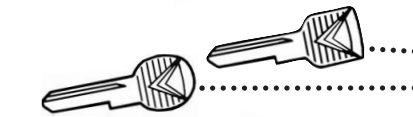


front of truck

**PAIR OF MATCHING DOORS & KEYS** ....1130-2D ....\$42.50 set  
**PASSENGER LOCK & IGNITION Cylinder** ...1130-PI ....\$42.50 ea.  
**DRIVER LOCK** Includes keys .....1131-D .....\$24.00 ea.

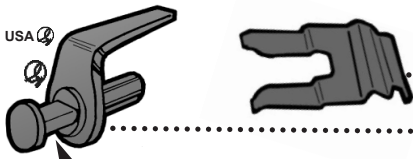
*Stainless cover lifts up, fat part of lock to back, point to front.*

Stainless lock covers are available, however they are difficult to install unless you are a locksmith....1138-CR & 1138-SP Call for help.



**KEY KNOB**, key in knob, pop in ignition, looks like just another knob.  
 Stock knob with stock key .....1009 .....\$10.00 ea  
 Polished Aluminum Knob with key ..1009-AP .....\$16.00 ea  
**STOCK KEY, IGNITION or DOOR** .....1138 .....\$3.00 ea.  
**ROUND, Door** .....1138-RND .....\$5.00 ea.

Unless custom cab or ordered with two locks, lock was only on passenger side. know why? **Safety, yes, safety** Ford did not want you unlocking doors standing in traffic or, exiting vehicle while parallel parked, this forced passenger side exit



**LOCK RETAINER** .....1133 .....\$4.75 ea.  
 Install retainers from inside for cleaner weatherstrip application.

**LOCK LEVER** .....1136 .....\$8.50 ea.  
 This is the piece that breaks most often, others are too long, ours is correct. To install in lock, slip spring over end (note arrow on drawing) compress and insert into horse shoe shaped slot in back of lock, make sure lever fully inserts into hole in latch assembly locking arm.



**LOCK SPRING** .....1135 .....\$1.75 ea.  
 New exact reproduction, a must for proper lock operation.



**LOCK INSTALLATION KIT** .....81136 .....\$12.50 kit  
 Includes Lock Lever with Spring, Retainer, Templet & Instructions.

**LOCK PAD**, Not Stock on Truck .....1139 .....\$1.75 ea.  
 Went on car, you may have to trim out inside to make work.  
 looks nice but not supposed to be there.

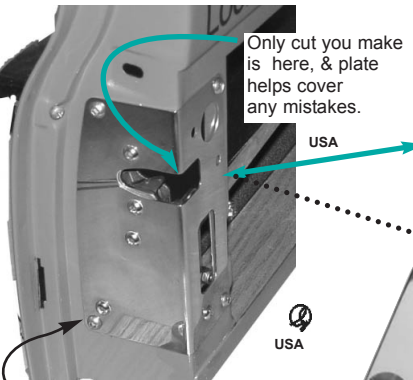


**GASKET STYLE**, thinner, no outer edging ..1139-G .....\$1.25 ea.

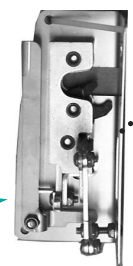
**LIGHTS AND SOUND, Remote Lock and Unlock kit**

Fun!, I love this, remote locks and unlocks the door, chirps the horn and flashes the lights, just like in a new truck. NEAT!!!  
 Complete with 2 remotes, power box, relays and instructions.  
 All the figuring has been done for you, easy install  
 Remote Lock-Unlock with Lights & Sound ...3239 .....\$199.00 kit

**NEW**



Only cut you make is here, & plate helps cover any mistakes.



**ALTMANS EASY LATCH, Bear Claw Locking kit**, neat, clean, easy to install, solves lots of problems. All engineering is done. Uses new USA made "Bearclaw" like latches, assembled as shown with all the linkage and plates for your F-100. (will not fit any other makes or years, sorry) Uses stock door handles inside and out. Even locks with stock outside key lock! (Inside handle does not lock door) Plates can be Welded or Bolted in, and cover the only hole made. Striker and pin are included and bolt on, covering original striker location. Perfect for an already painted truck, Really Neat Kit !!!!

**PLAIN STEEL KIT** .....1109 .....\$250.00 kit  
**POLISHED STAINLESS** as shown, can be bolted into a painted truck,  
 Plates & Bolts are polished .....1109-PS .....\$295.00 kit  
 Kit for SHAVED OUTSIDE HANDLES ..1109-NH .....\$225.00 kit  
 SHAVED, POLISHED .....1109-NHPS ..\$260.00 kit



Plate bolts or welds in. Striker & Pin bolt into original striker location

**UPGRADES** for existing kits or do it yourselves, check before ordering, some items are included in some kits above. hand made & polished for finishing touch.  
**STRIKER**, Polished, .....1109-BCP .....\$75.00 pr.  
**POLISHED FORD EMBLEM WASHER** ....1109-WF ....\$15.00 pr  
**POLISHED ROUND BEVELED WASHER** ..1109-WR ....\$12.00 pr  
**POLISHED STRIKER PIN** .....1109-BP .....\$32.95 pr

**LOWER \$\$**



## DOOR LOCKS