

1953-55 SOLID SIDE CURVED WINDOW KIT



Now, choice of
Stainless bead, or,
No bead (black)

CURVED GLASS KIT

**DOOR CURVES
ABOUT HERE**
BEST BUY, BEST KIT

**glass kits have oversize shipping charge, additional 15.00

1953-55 SOLID SIDE WINDOW CURVED GLASS KIT

Yes, curved glass, this kit puts solid side windows in a 53-55 without reworking the door glass opening. No cutting and straightening of door window slot. Some modifications in the hinge area are necessary but it's not too bad and is all done under inside panel. Comes with instructions, upper & back felt runs, lower felts, and everything you need to install. Choice of glass colors, clear, tinted or smoke. (replacement glass available)

CURVED GLASS SOLID SIDE for 1953-55

CLEAR GLASS, Stainless bead91724-C \$365.00 kit
TINTED GLASS, Stainless bead91724-T \$365.00 kit
SMOKE GLASS, Stainless bead91724-S \$365.00 kit

NEW, kit with BLACK "NO" BEAD

CLEAR GLASS, No bead91725-BC \$365.00 kit
TINTED GLASS, No bead91725-BT \$365.00 kit
SMOKE GLASS, No bead91725-BS \$365.00 kit

EXTENDED LIFTS

Ordered with kit, additional1730-CX \$35.00 pr
Bottom of curved glass needs CURVED extended lift IF using Stock
Window Regulators, Note Lifts NOT needed with power window kits

1953-55 doors have a slight curve, "see drawing" and upper hinge and adjoining sheet metal is in the way when eliminating vents. To install solid side windows in a 1953 to 1955 you need kit with curved glass, OR you need to straighten glass opening. This can be done with our straightners, but it's a lot of body work as you cut out inner angles along door glass opening and replace with straight pieces. ***This CURVED GLASS kit can be installed in a finished truck without all that body work as the only cutting is hidden behind door panel.***

For best results use the **POWER WINDOW** kit and the **POWER WINDOW INSTALL KIT** on page **. The install kit is all set up to eliminate the guesswork and trial & error. No measuring, no cutting.

INDIVIDUAL SOLID SIDE PIECES FOR DO-YOURSELF'ERS

LOWER FELT WIPES, SS BEAD does one door

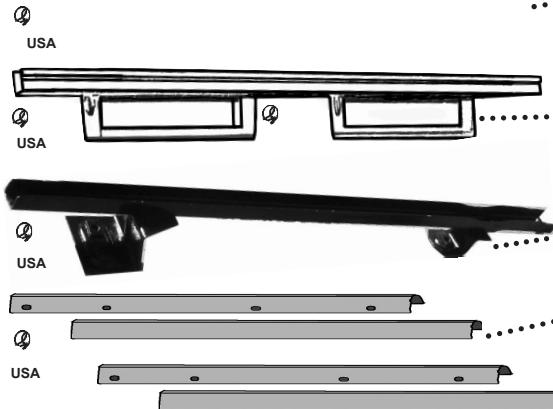
.....FORMED with clips Stainless bead 1 door . . .1727-5355 . . \$50.00 pr.
FORMED with clips Black Bead, one door . . .1727-5355B . . \$50.00 pr.
Do-Yourself, Black Bead, glue in1727-BK . . . \$17.50 pr.
Do-Yourself, Stainless Bead, glue in1727-ST . . . \$17.50 pr.

.....**1953-55 EXTENDED LOWER LIFT**, Use with stock regulators, or if NOT using our TEMPERED glass, Laminated glass may break without support. Order... Left...1731-5355XL or Right...1731-5355XR . . . \$39.00 ea.

DRY GRAPHITE small tube, for channels3128-23 \$2.95 tb

.....**LOCK SIDE UPPER & BACK CHANNEL BRACKET** Piece upper & back channels slide into, attached to latch (back) side of door above & below star. Order Driver side...3114-L or Passenger side . .3114-R \$40.00 ea.

.....**DOOR WINDOW SILL STRAIGHTENER STRIPS**, for straightening lower window openings for repair or flat glass solid windows, set of inner and outer for each door, 4 pieces, with clip slots. fits entire lower edge of window opening, if using with vents, just cut at division bar area.3113-4 \$39.95 set



1953-55 SOLID SIDE FLAT GLASS KIT

1953-55 FLAT GLASS SOLID SIDE 1953-55 **

Flat glass, door curve must be straightened, metal angle pieces to straighten door with correct angle and clip slots (3113) are included, as well as formed front channel runs with brackets. Upper and back felt channels and lower felts come in both plain black and stainless bead.

STAINLESS BEAD KIT

CLEAR GLASS91721-C . . . \$350.00 kit
TINTED GLASS91721-T . . . \$350.00 kit
SMOKE GLASS91721-S . . . \$350.00 kit

BLACK KIT, No stainless bead

CLEAR GLASS91720-NC . . \$350.00 kit
TINTED GLASS91720-NT . . \$350.00 kit
SMOKE GLASS91720-NS . . \$350.00 kit

EXTENDED LIFTS for flat glass

Ordered with kit, additional1731-53AD . . \$39.00 pr
SOLID SIDE KIT WITHOUT GLASS .91722-SS . . \$255.00 kt

98

1953-55 SOLID SIDE WINDOW KITS