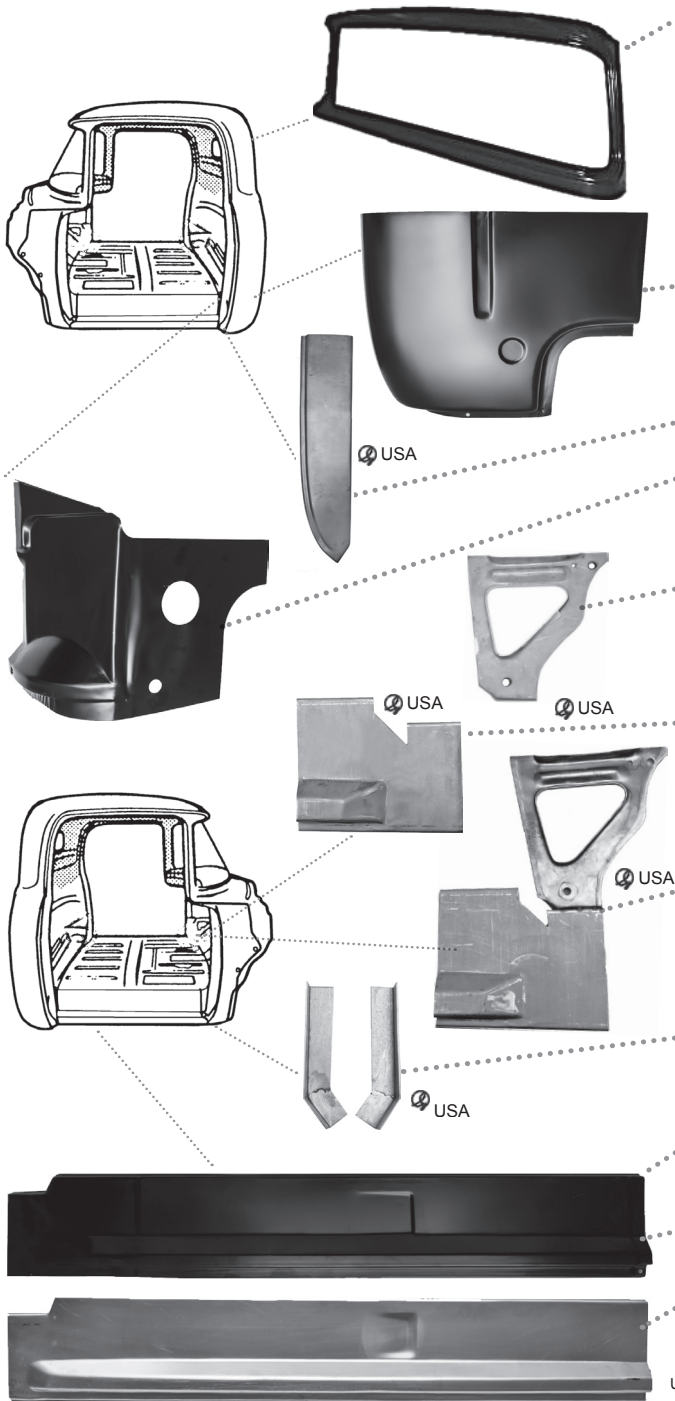


CAB REPAIR



BIG BACK WINDOW CONVERSION

Very nice piece, complete from roof seam to 3" below window, fits perfect, ships UPS. See page 101 for big back window glass and weatherstripping

- Conversion panel..... 7792.....\$495.00 ea
- Trim for big back window..... 1226.....\$250.00 set

REAR CAB CORNER, 53-56

Nice sharp bends and correct curve, 15" tall, which is tall enough to cover 1953-55 gas tank filler indentation, (indent is not included)

- Left, driver side..... 7709-L.....\$30.00 ea
- Right, passenger side..... 7709-R.....\$30.00 ea

REAR LOWER CAB POST

- Driver..... 7715-L.....\$39.00 ea
- Passenger..... 7715-R.....\$39.00 ea

REAR INNER CAB CORNER

- Left..... 7706-L.....\$65.00 ea
- Right..... 7706-R.....\$65.00 ea

TRIANGLE GUSSET

Behind kick panel area, 1953-55 set above rocker

- Driver side..... 7716-L.....\$22.50 ea
- Passenger side..... 7716-R.....\$22.50 ea

LOWER REINFORCEMENT

1956 reinforcement or good patch if complete rocker not needed. Also needed with China rockers with 56 indent.

- Driver side..... 7719-L.....\$20.00 ea
- Passenger side..... 7719-R.....\$20.00 ea

TRIANGLE GUSSET & REINFORCEMENT COMBO

- Driver side..... 7717-56L.....\$56.00 ea
- Passenger side..... 7717-56R.....\$56.00 ea

ROCKER "L" REINFORCEMENT, 1955

1954-55..... 7719-55..... \$20.00 pr
This reinforcement was found on some 54 also. 1956 truck had added reinforcement piece, see above

ROCKER PANELS

Standard style will work for all years 18g, no reinforcement needed. Oversize shipping

- With indent, driver..... 7729-56L.....\$48.50 ea
- With indent, passenger..... 7729-56R.....\$48.50 ea
- Standard, driver, USA..... 7728-L.....\$50.00 ea
- Standard, passenger, USA..... 7728-R.....\$50.00 ea

Patch Panels, most all are actually a copy of a Ford patch, or, a 1956 truck. Panels may require some modification to work on a 1953-55. Rear cab corners do not have 1953-55 gas filler provision, Complete cowl piece has small dip at top inner area etc Patch panels are not covers, they replace the original sheet metal, however, like all repair pieces, they may not be exact duplicates of original. Even original cabs are not all exactly alike as they were not all stamped from the exact same dies. Watch for notes in this book and on our website for helpful hints on fit, etc