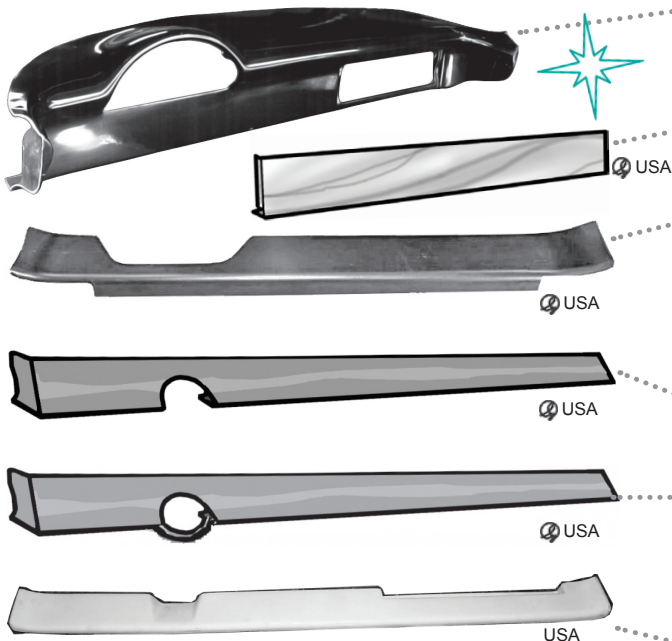


CAB REPAIR



1956 FIBERGLASS DASH 6509 \$275.00 ea
Very nice piece, goes seam to seam, has hole ready for glove box door, does not have a hole for the ash tray. Accepts any 56 instrument cluster. Oversize shipping

1956 DASH REPAIR 7535 \$59.00 ea
Rolled bottom edge and flanges for ease of installation, 18 gauge steel seam to seam, covers glove box area

1953-55 DASH REPAIR 7536-5355 \$125.00 ea
Correct curves, can go over existing dash or replace it, goes to horizontal seam and door to door, removes glove box & ash tray

STEEL DASH EXTENSIONS

Angled out from dash at almost 45 degrees, 4" deep, will hold most anything. No glove box notch. Oversize shipping
 Angled bottom with column hole..7533 \$79.00 ea
 Rounded bottom no opening 7532 \$99.95 ea
 Rounded bottom with column hole and support
 2" column hole & support.....7540-2 \$165.00 ea
 2.25" column hole & support....7540-25 \$165.00 ea

X-TEND-A-DASH

Molded to fit contour of dash, adds 3 inches to bottom, allows glove box door to open. Will hold Vintage Air oval panel, gauges, Air Ride switches, etc Oversize shipping
 Fiberglass, order by year.....7530 \$136.50 ea
 ABS black, paintable 7531 \$128.50 ea

FRONT CAB BODY MOUNT BRACKET

Driver.....7718-L \$26.50 ea
 Passenger7718-R.....\$26.50 ea

INNER FENDER TO LOWER CAB MOUNTING ANGLE

Interchangeable. 56 Short, longer 53-55 style fits 56 as well
 Driver, 1953-55, will fit all.....1564-5355L \$22.50 ea
 Passenger, 1953-55, will fit all1564-5355R \$22.50 ea
 Driver, 1956, will fit all.....1564-L \$22.50 ea
 Passenger, 1956, will fit all1564-R \$22.50 ea

FRONT FENDER UPPER MOUNTING BRACKET

Driver.....1563-L \$22.50 ea
 Passenger1563-R.....\$22.50 ea

Call with any concerns about reproduction panels from China, some good, some not so good

COMPLETE FRONT CAB CORNER & COWL

Goes all the way to upper seam, includes hood hinge area. Nice piece, best one for door edge area, oversize shipping.
 Driver.....7705-L \$55.00 ea
 Passenger, with louvers.....7705-FA \$65.00 ea
 Passenger, no louvers.....7705-R.....\$58.50 ea

LOWER FRONT CAB CORNER

24" section order left or right7710-(L or R) \$50.00 ea
 13" section order left or right7710-13(L or R). \$50.00 ea

FRONT COWL & FENDER REINFORCEMENT

Piece on inside of cab that fender bolts through, includes fender locating nut. . See page 104 for more info
 Order L or R.....1562-(L or R) \$20.00 ea

FRONT INSPECTION PLATE ...7712 \$16.50 pr

Use on some 55's, all 56's and all new panels with holes
 Inspection plate screws.....87712 \$1.50 set

FRONT LOWER DOOR PILLAR

With hinge bucket, driver.....7713-L \$42.50 ea
 With hinge bucket, pass7713-R.....\$42.50 ea
 No hinge bucket, driver.....7714-L \$39.00 ea
 No hinge bucket, pass7714-R.....\$39.00 ea
 Rear pillar7715-(R or L).....\$39.00 ea

