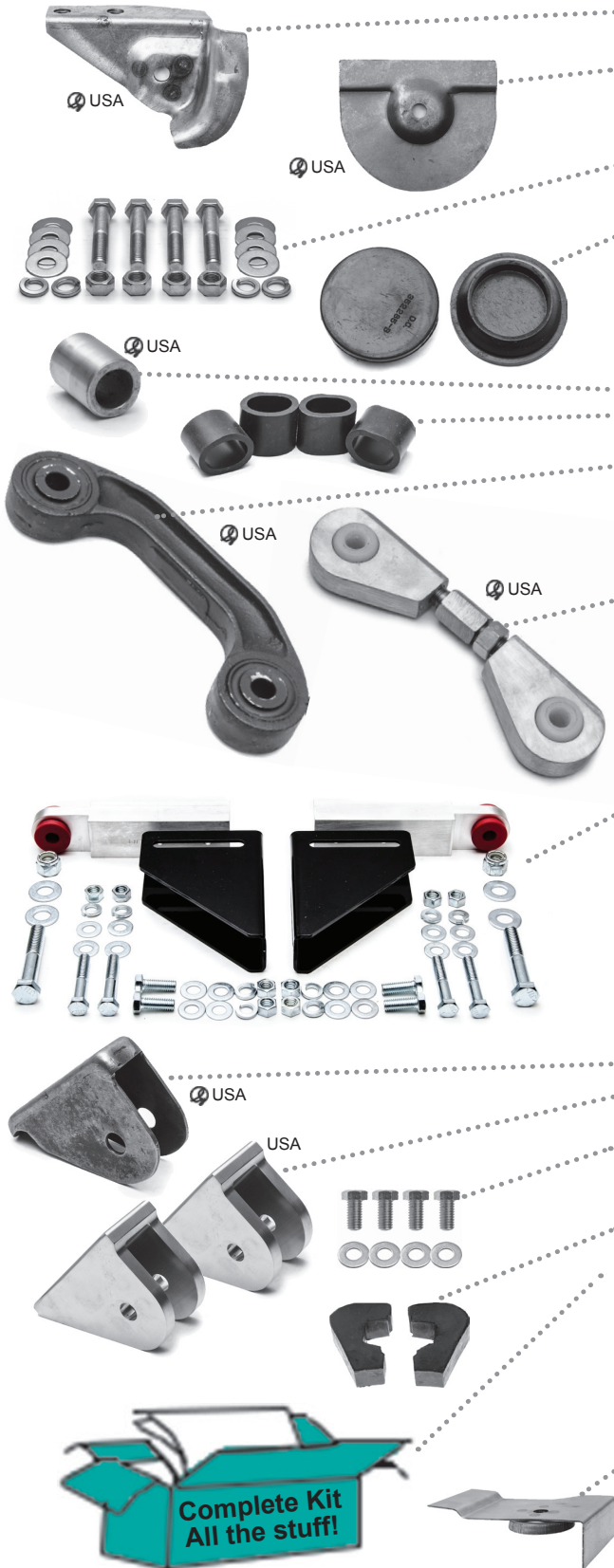


CAB MOUNT, REAR



USA

USA

USA

USA

USA

USA

USA

**Complete Kit
All the stuff!**

REAR CAB MOUNT BASE BRACKET

Choose left or right 0739-(L or R).....\$15.00 ea

REAR CAB MOUNT BASE PLATE.. 0738\$15.00 ea

REAR CAB MOUNT BOLT KITS

Rear set, zinc..... 80707-Z.....\$6.50 set

Rear set, stainless..... 80707-SS.....\$10.00 set

Both front & rear, zinc..... 80708-Z\$10.00 set

Both front & rear, stainless 80708-SS.....\$14.50 set

REAR CAB INSPECTION PLUGS ... 0703\$5.50 pr

Rear cab mount inspection hole cover.

REAR CAB MOUNT ARM REPAIR

Complete kit..... 0708\$13.50 set

Includes 4 rubber & 4 steel bushings, use only if the arm hole is not egg shaped. Only repairs the original style arm.

Steel bushing only 1 only 0707-S\$3.65 ea

Rubber bushing only, set of 4 0707-R\$3.00 set

REAR CAB MOUNT ARM

Original, cast arm 0704-CAST\$24.50 ea

Cast heavy duty arm, original F-100 arm was die bent steel with a small rubber bushing, it is not available. This fits the same, was used on larger trucks so has larger rubber bushing, bigger bushing, better ride.

Sy's adjustable arm 0711\$59.00 ea

The answer for most cab arm problems. Easy installation and adjustment. If it looks like the bed is crooked, might be back of driver side cab. This arm will straighten it right up. (Stock distance hole center to center 6 1/4") after 50+ years of service most cab mounting areas have some fatigue even if you cannot see it. Fine tune cab at any time with just a simple turn even on an assembled truck.

Adjustable arm & base kit..... 0712\$199.95 kit

Eliminates arms, brackets & bumpers, perfect if your brackets are gone or cab needs more side to side adjustment as well as up and down. Will fix even the worst misalignments. Nice hi tech look, about the same money as all the stuff it replaces. Not as easily adjustable as sy's adjustable arms on a put together truck however. Powder coated black with red delron bushings replaces all stock rear mounting parts, except the inspection hole plugs, order them separately above.

REAR CAB ARM BASE

Plain steel, each 0735\$22.50 ea

Billet aluminum, pair 0735-ALM\$169.95 pr

Hand made and pricey. Only a few left, just a one time run

REAR CAB BASE TO FRAME BOLTS

Zinc..... 80735\$4.00 set

Polished stainless 80735-PS.....\$6.90 set

REAR CAB MOUNT ARM BUMPERS

Pair 0706\$7.00 pr

FRONT & REAR CAB MOUNT KITS

2 front large pads, 2 upper caps, 2 lower retainers, 2 lower pads, 2 rear arm bumpers, 2 inspection plugs, all hardware and:

With rear cab arm repair kit 90702\$75.00 kit

With stock cab arms 90701\$105.00 kit

With adjustable rear cab arms..... 90704\$175.00 kit

Everything above, plus cap & plate assembly

With stock cab arms 90701-WP\$124.00 kit

With adjustable rear cab arms..... 90704-WP\$189.00 kit