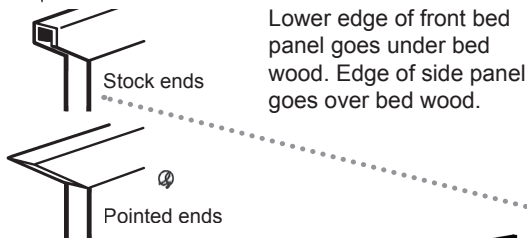
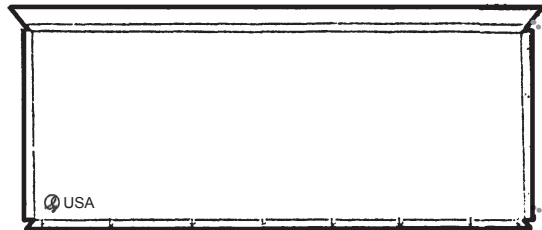
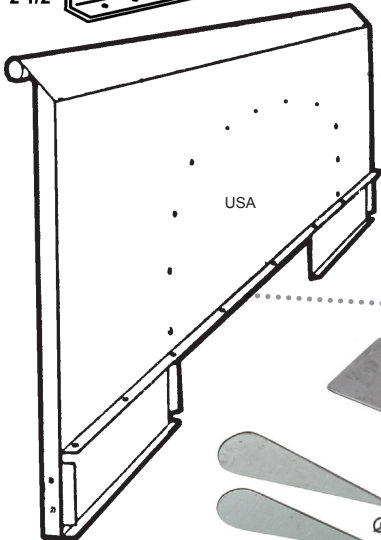
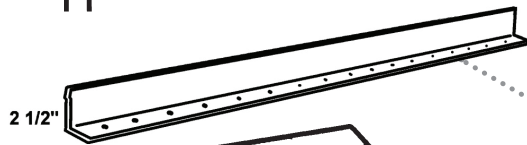


BED PARTS

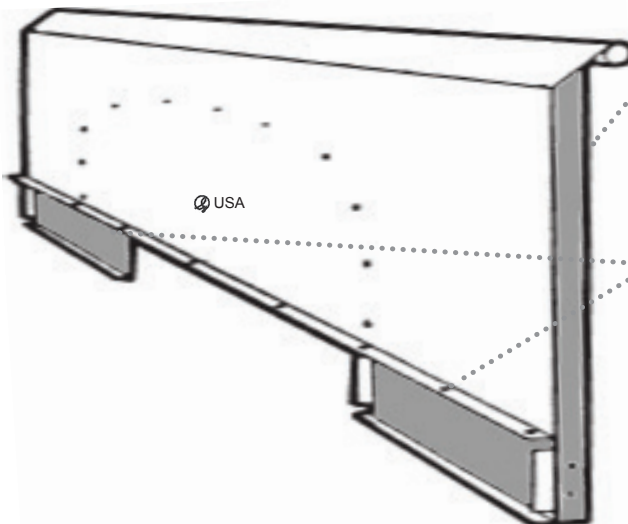
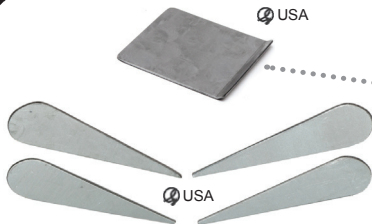
Bed kits have big discounts. Check with us if considering individual pieces or call for help. Complete kits often ship for the same price as just one bed side



Lower edge of front bed panel goes under bed wood. Edge of side panel goes over bed wood.



NOTE: China made bed sides, may not fit exactly with USA components



FRONT BED PANEL TOP ANGLE BOLTS

Zinc.....	80202-Z	\$2.00 set
Polished stainless hex head	80202-PX.....	\$7.90 set
Polished stainless buttons	80202-PB.....	\$8.90 set

FRONT BED PANEL *Oversize shipping*

Pointed ends, USA made	0200-14.....	\$150.00 ea
Stock ends, USA, stock.....	0200.....	\$135.00 ea
Stock ends, China, fits china sides.....	0200-CM.....	\$100.00 ea
All polished stainless	0200-PSA.....	\$239.00 ea
<i>Brightest polished stainless, full point ends</i>		
Polished stainless top only	0200-PST.....	\$195.00 ea
Polished stainless inner panel only	0200-PS.....	\$225.00 ea

Stock front panel end is open and did not match the side, this lets water in and looks yucky, so we make it both ways. All our bed kits include the pointed one except Stone stock bed kit. If you want stock original please ask NOTE: Our panel does not fit China bedsides

FRONT PANEL LOWER REPAIR FLANGE

<i>Use if your lower front bed panel is rusted, goes under bed wood</i>		
Repair flange	0210-RP.....	\$29.50 ea

BED SIDES TO FRONT BOLTS

Polished hex with acorns.....	80205-PX.....	\$15.00 set
Polished button with acorns.....	80205-PB.....	\$16.00 set
Zinc.....	80205-Z.....	\$5.00 set

SIDE BED PANELS *Oversize shipping*

<i>With stake pockets, extensions & fender holes. 1953-56</i>		
Stock with stake pocket holes	0202-(R or L) ...	\$250.00 ea
Smooth, no stake pocket holes 16 ga ..	0203-(R or L) ...	\$260.00 ea
Smooth, China made, 18 gauge.....	0203-B(R or L) ..	\$229.00 ea
Teardrop bed panels, smooth.....	0201-(R or L) ...	\$365.00 ea
<i>Front & rear roll ends in teardrop shape</i>		

STAKE HOLE REPAIR PATCH

Each, need 4	0225-1.....	\$6.00 ea
--------------------	-------------	-----------

TEARDROP INSERTS

<i>Must be welded on, same as used on ours</i>		
Plain steel set of 4	0218-4.....	\$25.00 set
Stainless, buff to polish after installed ..	0218-SS.....	\$40.00 set

STAKE POCKET

Front	0205-F	\$45.00 ea
Rear, with or without holes for gate, light & chains		
With holes, left	0205-RL.....	\$49.00 ea
With holes, right.....	0205-RR	\$49.00 ea
No holes, left.....	0205-RLN	\$49.00 ea
No holes, right	0205-RRN.....	\$49.00 ea
End rolls, rear	0229	\$39.95 pr
End rolls, front	0229-F	\$39.95 pr

SIDE BED PANEL EXTENSIONS

Rear, right and left are the same	0207	\$16.50 ea
Front, left	0206-L.....	\$22.00 ea
Front, right	0206-R.....	