

# LONG BED KITS & PANELS

Beds and bed parts are crated and shipped freight only. Long bed sides are 14 gauge steel and very heavy. Freight must be quoted, we have worked very hard to get substantial discounts with the freight companies and the savings is passed on to you.

Fits 1956 1/2 ton long bed & 1951-1980 3/4 ton ford trucks crossmember placement is different on various years but our crossmembers are punched to accept all locations.

## 8 FOOT BASIC BED KIT

Includes 2 bed sides, rear crossmember, 4 center crossmembers, front crossmember, zinc assembly hardware, and your choice of front bed panels. See next page for more info on front panels. Does not include mounting bolts, blocks or fender bolts. Ships freight

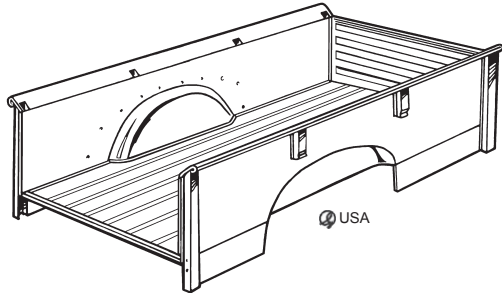
- With stock ribbed front panel ..... F2-90201 ..... \$1395.00 kit
- With smooth (no ribs) front panel ..... F2-90202 ..... \$1395.00 kit
- With pointed front panel..... F2-90203 ..... \$1450.00 kit

### Additions to customize your bed:

- Center pocket, per side ..... F2-0204-A.....\$35.00 ea
- Teardrop installed Front, per side ..... 0201-AF.....\$50.00 ea
- Teardrop installed Rear, per side..... 0201-AR .....\$50.00 ea
- Wheel Tub Installed, per side ..... F2-0219.....\$295.00 ea

Includes 3" tub & installation, note: choice of depth up to 9" larger tub may be additional charge depending on depth.

See page 120 for polished hardware  
See page 135 for tailgates.



THIS PAGE CONTAINS LONG BED PARTS ONLY



See also all bed accessories such as hole plugs, lights, hinges, etc in standard bed section

## FLOOR KIT

Add with above for a complete bed kit. Includes oak boards (no hold down holes) strip and side bolts, mounting blocks and choice of strip styles & finish. No hold down bolts, see page 120 for hold down kits

- With stock zinc strips & bolts ..... F2-90215-Z.....\$495.00 kit
- With stainless strips & bolts ..... F2-90215-S ..... \$550.00 kit
- With polished strips & bolts ..... F2-90215-P ..... \$650.00 kit
- With polished wow strips, & fastener..... F2-90215-W ..... \$695.00 kit

Wow strips have hidden fasteners, see strip page 119 for info.

## CUSTOM LONG & LOW BED KIT (NOT STOCK)

This kit is just like 6 foot bed but longer. Cheaper because it uses f-100 short bed crossmembers, front panel and tailgate. Wheel tubs not needed, any f-100 tailgate will fit (not included). Requires moving running board extensions back to match. Some stock long bed running boards are wide enough to accept the move, some may need modified. Includes sides, front panel, all x-members with hidden mounting, hardware, wood and choice of strips. Ships freight

- With plain strips ..... F2-90281-Z.....\$1450.00 kit
- With polished strips ..... F2-90281-P ..... \$1550.00 kit
- With wow strips..... F2-90281-W ..... \$1650.00 kit

Wow strips have hidden fasteners, see page 119 for info

## 8 FOOT LONG BED SIDES

No wheel tubs, no stake pocket holes, and with front and rear pockets and extensions. Fits 1956 1/2 ton long bed and 1951-80 3/4 ton

- Driver ..... F2-0205-L.....\$335.00 ea
- Passenger ..... F2-0205-R .....\$335.00 ea

## BED SIDE ADDITIONS

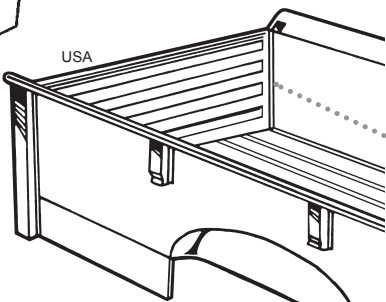
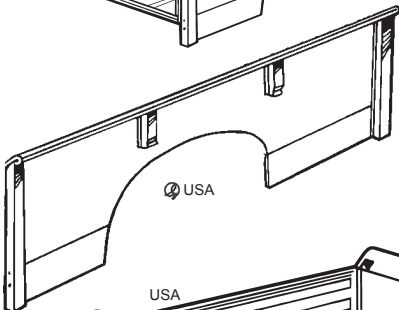
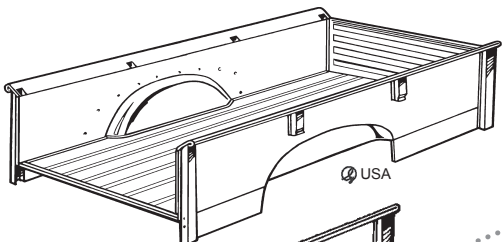
See options in the basic bed kit above, same price.

## LONG BED FRONT BED PANELS

For 8 & 9 ft. beds, panels are shorter than bed sides, with a roll going across at top, meeting top of side. Call for help if needed.

- Stock ribbed style ..... F2-0201 .....\$195.00 ea
- Smooth style, no ribs ..... F2-0202 .....\$195.00 ea
- Pointed style ..... F2-0200 .....\$225.00 ea

Flat top and points to match bed flare, just like custom one we make for the small bed. Nice finished look for bed.



LONG BED SECTION 8 FOOT BED

