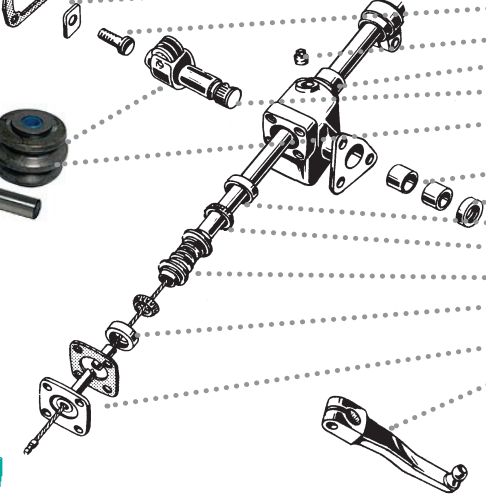
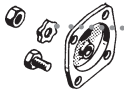
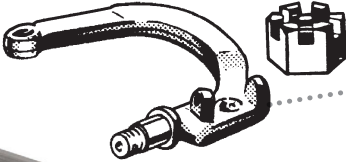


# STOCK STEERING



Longest end goes to spindle arm ball, grease fittings point down, arm has slight bend



## DRAG LINK TUBE

- Stock length..... 2707 .....\$79.95 ea
- Extended drag link tube..... 2707-EXT.....\$99.00 ea
- Use with down and forward springs see page 144*
- Drag link internal end kit..... 2708.....\$16.95 kit
- Each kit does one end. Cotters and grease fittings not included*
- Drag link zerks and cotters ..... 82708.....\$3.50 kit
- Drag link dust seal, use 2 ..... 2708-A.....\$7.50 ea

## STEERING SPINDLE & ARM

- Ball stud..... 2709.....\$28.00 ea
- Stop bolt and taps, set of 2..... 2844.....\$4.00 pr
- Spindle arm nut ..... 2710.....\$10.95 ea
- Steering arm ..... Used only available.

## TIE ROD

- We only sell heavy duty due to wider tires, etc*
- Custom heavy duty tie rod..... 2714.....\$49.00 ea
- Jam nut, left ..... 2713-L.....\$2.50 ea
- Jam nut, right ..... 2713-R.....\$2.50 ea
- Tie rod end, left..... 2711-L.....\$16.00 ea
- Tie rod end, right ..... 2711-R.....\$16.00 ea
- Tie rod dust seal, included above ..... 2715.....\$2.00 ea
- Tie rod ends, chrome..... 2712-C(L or R).....\$21.95 ea
- Dropped tie rod ends..... See previous page

## REBUILT STOCK STEERING BOX

- Our boxes have all new parts and are guaranteed*
- Core charge, need sector gear asm. . CORE.....\$100.00 ea
- 1953-55 ..... 2736-5355.....\$550.00 ea
- 1956..... 2736-56.....\$550.00 ea

## STEERING BOX REBUILD KIT COMPLETE

- Includes worm gear and shaft, bearings, races, sector roller gear, sector bushing, sectorseal, adjusting screw, lock nut, complete gasket set & instructions.*
- 1953-55 ..... 92734-5355.....\$349.95 kit
- 1956..... 92734-56.....\$389.95 kit

## BOX MOUNTING BOLTS, PLSS ..... 82736

## STEERING BOX BUSHING & BEARINGS

- With sector roller rebuild gear and instructions (No worm gear & shaft)..... 2741-SE.....\$195.00 kit
- Bushing & bearing kit only ..... 2741.....\$116.50 kit

## STOCK STEERING BOX REBUILD PIECES

- Instructions ..... No charge
- Plate bolt kit..... 82746-PS.....\$5.00 set
- Adjustment bolt washer, new repo..... 2751.....\$5.00 ea
- Adjustment thrust bolt, new repo ..... 2753.....\$8.00 ea
- Filler plug, new repo ..... 2754.....\$14.00 ea
- Felt dust seal ..... 2744.....\$1.90 ea
- Sector gear assembly,NOS ..... 2742-FORD.....\$533.16 ea
- Sector rebuild roller gear ..... 2743.....\$129.00 set
- Includes instructions, new repo*
- Sector inner bushing, use 2..... 2748.....\$16.50 ea
- Sector oil seal..... 2749.....\$5.00 ea
- Upper race..... 2752.....\$13.50 ea
- Roller cage bearing, use 2..... 2747.....\$10.75 ea
- Worm gear & shaft, order by year ..... 2740-(year) .....\$195.00 ea
- Lower race ..... 2750.....\$40.00 ea
- Gasket & shim kit..... 2745.....\$9.50 kit
- Pitman arm ..... 2706.....\$65.00 ea
- Pitman arm bolt & nut..... 82706.....\$3.85 ea



**STOCK STEERING**

**1-800-252-1956**