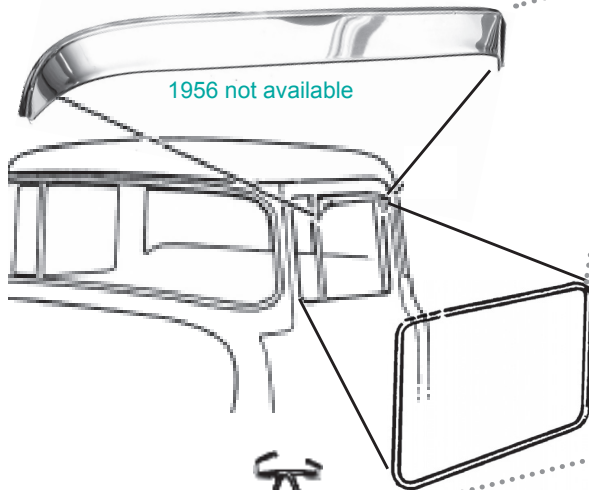


# OUTER TRIM



## SIDE WINDOW SUN VISORS

Polished stainless, with hardware

1953-55 .....0125-5355 .... \$57.50 pr

## STAINLESS SIDE WINDOW TRIM MOLDING SET

Was on custom cabs, does both sides, includes replacement style clips, for original clips see below

1956 reproduction with clips ..... 1215 ..... \$125.00 pr

## SIDE WINDOW TRIM CLIPS

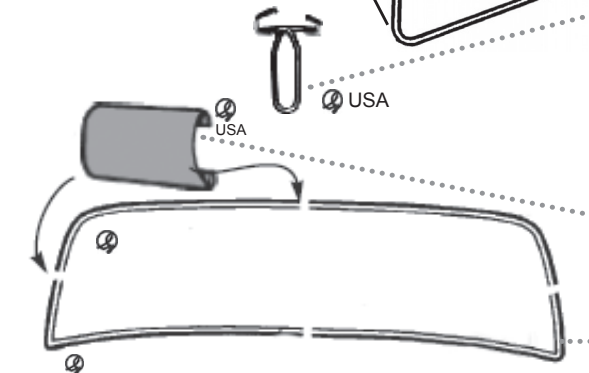
The only replacements available are too heavy and require a larger hole in the door as well as some grinding on trim. We have now reproduced the correct clip, but it's pricey! Got the price down a little on this new run. They are worth the price as any other clip available requires enlarging the holes in door & grinding trim.

Reproduction, one .....81215 ..... \$3.00 ea

Reproduction, set, does both doors .....81215-20 .... \$45.00 set

Replacement, set .....81214-R ..... \$6.00 set

Requires drilling out larger holes and opening up channel, not good for already painted trucks, if painted use our reproduction clips above.



## JOINT CLIP, STAINLESS

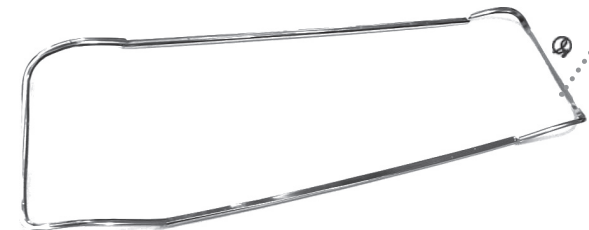
.....1218-RP ..... \$8.00 ea

We reproduced these, still expensive but a lot cheaper than before

## WINDSHIELD MOLDING TRIM

.....1220 ..... \$250.00 set

Includes clips, new reproductions, chromed aluminum.



## BIG BACK WINDOW MOLDING

.....1226 ..... \$250.00 set

Long time in the making, long story. Originals were stainless, these reproductions are chrome over aluminum. They are beautiful and guaranteed. They fit like originals and use stock rear window weatherstrip with groove and even come with all the clips.

## VISOR TRIM

Polished stainless, trim only .....1260 ..... \$95.00 ea



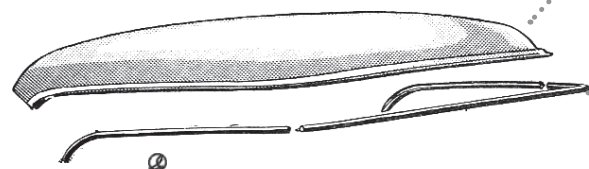
## FIBERGLASS ROOF

Roof can be installed with Plio-Grip panel adhesive. Oversized shipping.

(Chop tops also available see page 101)

1953-55 Roof section .....6528-5355 . \$350.00 ea

1956 Roof section .....6528-56 ..... \$350.00 ea



## 1956 DRIP RAIL

.....97760 ..... \$125.00 set

3 piece, reproduction of original, note the insert drawing. 56' only available.