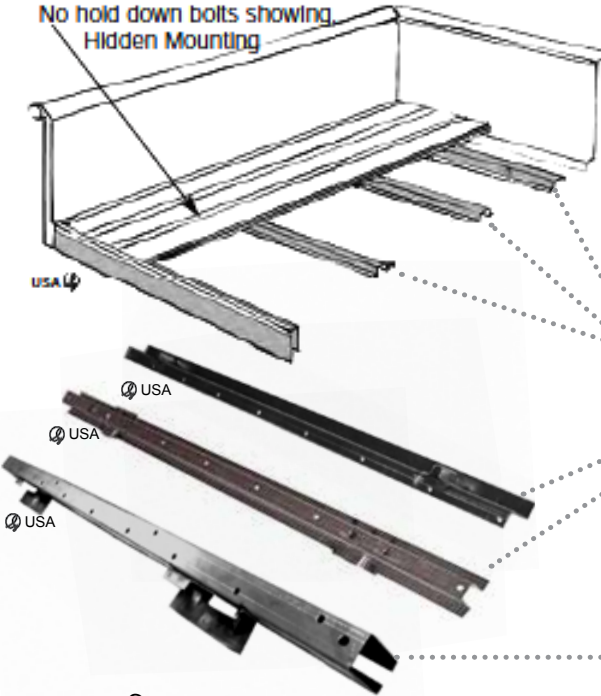


BED PARTS & CROSSMEMBERS

No hold down bolts showing
Hidden Mounting

Beds mount to the frame in 8 locations. Two at the front through the bed strip into a sleeve on the front crossmember then into a bracket on the frame (0234). 4 bolts go through bed wood with large concave washers countersunk into the wood, through x-member and into frame. The last 2 mount rear x-member bracket into frame. Bed can be mounted as a complete assembly or assembled on the truck. Hidden x-members have threads inside so can be attached to the frame from underneath so that no mounting bolts show inside bed, this allows the bed to be installed or removed as one unit.



STOCK STYLE CROSSMEMBERS

- Front 0230 \$45.00 ea
 - Center (use 2, they face each other) 0232 \$45.00 ea
- One side is shorter, it faces the axle on the upslope of frame*

HIDDEN MOUNT STYLE CROSSMEMBERS

- Front 0230-HD \$55.00 ea
 - Center 0232-HD \$55.00 ea
 - Hidden mount bolt kit 80230 \$8.00 kit
 - Hidden bed mounting kit 90200-HD \$165.00 kit
- Includes front and 2 center crossmembers, hardware & insulators.*

REAR Crossmember

Complete with mounting brackets. We offer many different styles of the rear sill, these two are stock style.

- Stock style, USA made 0233 \$75.00 ea
 - Stock style, imported (China) 0233-B \$75.00 ea
 - Crossmember to frame bolts 80233 \$3.50 set
 - Crossmember mount, die stamped 0235 \$15.00 ea
- Just like original, not just a L-bracket like all others on market.*

REAR X-MEMBER REPAIR OR COVER

Quick and easy. Slips over rear sill.

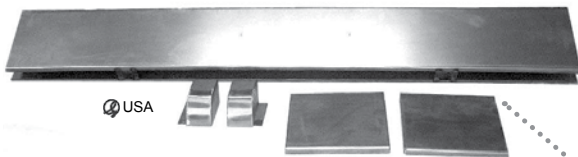
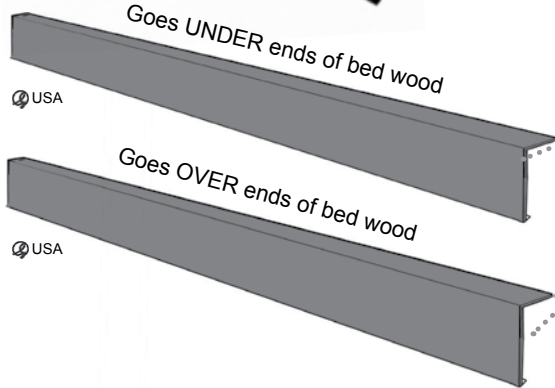
- Plain steel (can spot weld for repair) 0221-RZ \$32.50 ea
- Polished stainless 0221 \$42.50 ea
- Louvered, polished stainless 0221-LV \$57.50 ea

REAR SILL & WOOD CAP COMBO

Covers rear crossmember and bed wood ends. This has always been a spot I felt needed some "clean up". So, this piece replaces bed end cap, covers wood, then comes down and covers rear sill. Stock end cap bolt locations hold the top and I turned it under so a couple little screws would secure bottom out of sight. Neat, clean and covers any dings in rear sill.

- Plain steel 0221-CZ \$38.50 ea
- Polished stainless 0221-CP \$55.00 ea
- Bolt kit, same as rear end cap 80204-PS \$6.90 set

LONG BED CROSSMEMBERS See long bed on page 134



HOLD DOWN BOLTS see page 120

DROPPED REAR SILL

- Complete kit 90237 \$219.95 ea
- Use in place of roll pan. Dropped sill with dropped extensions & curved end caps for stake pockets brings rear down to meet fender, makes truck look lower and brings bed more in line with bumper. Requires welding*
- Dropped rear bed extensions 0238 \$50.00 pr
 - Dropped rear stake pockets
 - Straight flat open bottoms 0239 \$99.95 pr
 - Curved closed bottoms front 0239-XF \$150.00 pr
 - Curved closed bottoms rear 0239-XR \$150.00 pr
 - Dropped rear sill (crossmember) 0237 \$135.00 ea
 - Dropped rear sill with lights 0237-(style) \$250.00 ea
- Custom cut, flames, Ford, ovals. Made to order*

