

BED TRIM

Plugs and lights. 15/16" fits Chevy or beds made with pipe rolls. 1 1/8" fits Pros-Pic & others, 1 1/4" fit ours, most stock beds, Mar-K beds, Murthum beds and others.



BED ROLL PLUGS

- Chrome 1.25"80217 \$4.00 pr
- Chrome 1.5".....80216 \$5.00 pr
- Billet alum w/ 'O' rings 1 1/8"0217-AL..... \$29.50 pr
- Polished alum w/ 'O' rings 1 1/8"0217-PL..... \$29.50 pr
- Polished alum with 'O' ring 1 1/4"0240-P..... \$29.50 pr



FUN LIGHTS

- Fits bed roll, white lens, choice of bulb colors*
- Clear bulb2228 \$9.50 pr
 - Red, blue, amber, green, or purple.....2228-(color) \$12.00 pr



BED ROLL LIGHTS

- Polished aluminum housing for brake and turn signals, doubles as "third light".*
- LED, 15/16" hole red0244-16 \$125.00 pr
 - LED, 1 1/8" hole, red0244-18 \$125.00 pr
 - LED, 1 1/4" hole, red0244-25 \$135.00 pr
 - LED, 1 1/4" hole, white0244-25W. \$130.00 pr
 - LED, 1 1/4" hole, amber0244-25A.. \$125.00 pr
 - Standard bulb, red.....0228-RN..... \$78.50 pr
 - Standard bulb, amber.....0242-A..... \$77.50 pr
 - Reflectors, no bulb
Red.....0241 \$45.00 pr
 - Just for you out of country guys, amber .0241-A..... \$45.00 pr



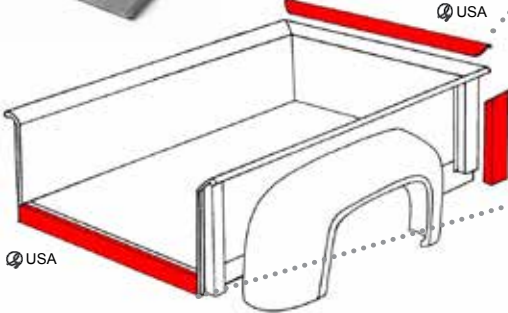
STAKE POCKET HOLE PATCH

- Do it yourself weld in patch for pocket hole, smooths out bedside*
- One only0225-1\$6.00 ea
 - Set of 40225-4\$20.00 set



FRONT PANEL STAINLESS TRIM

- Handy cover-up for slight damage.*
- Stock panel ends.....0219\$49.95 ea
 - Custom pointed ends, quick update.....0219-PT\$49.95 ea



BED POST POLISHED STAINLESS COVERS

- Set of 40220\$88.50 set
- One piece only0220-1\$36.50 ea

DOUBLE SIDED TAPE KIT

-80225\$2.50 kit

For installing stainless trim covers

DUALOC ADHESIVE TAPE

- 6 pcs82149-6..... \$10.00 kit

Like velcro but much stronger, made for attaching trim and such

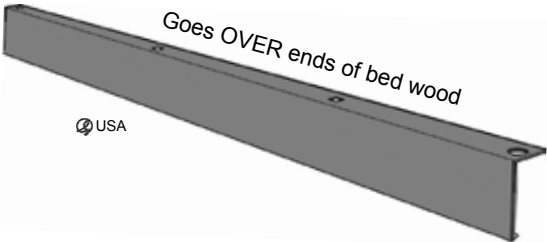
REAR SILL Crossmember REPAIR OR COVER

- Quick and easy repair or cover up of damaged rear sill.*
- Plain steel.....0221-RZ\$32.50 ea
 - Polished stainless.....0221\$42.50 ea
 - Louvered, polished stainless 0221-LV \$57.50 ea

SILL & WOOD CAP COVER COMBO

Covers rear crossmember and bed wood ends. Replaces bed end cap, covers wood, then comes straight down and covers rear sill. Neat, clean and covers any dings in rear sill, good repair or cover, smooth custom look

- Plain steel.....0221-CZ\$38.50 ea
- Polished stainless0221-CP\$55.00 ea
- Bolt kit, same as rear end cap.....80204-PS\$6.90 set



See also dropped rear sills on page 122

