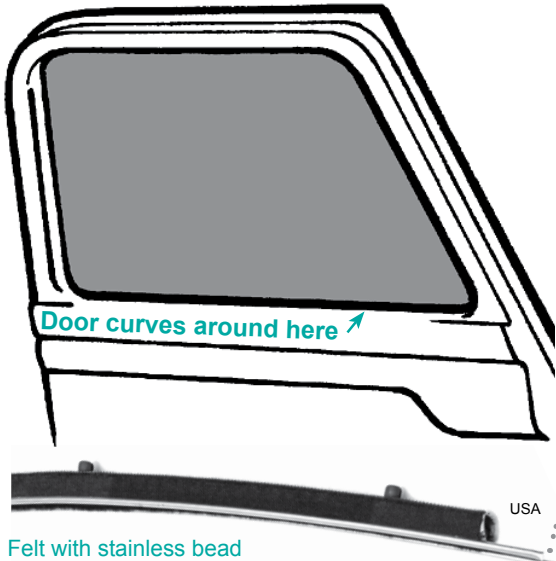
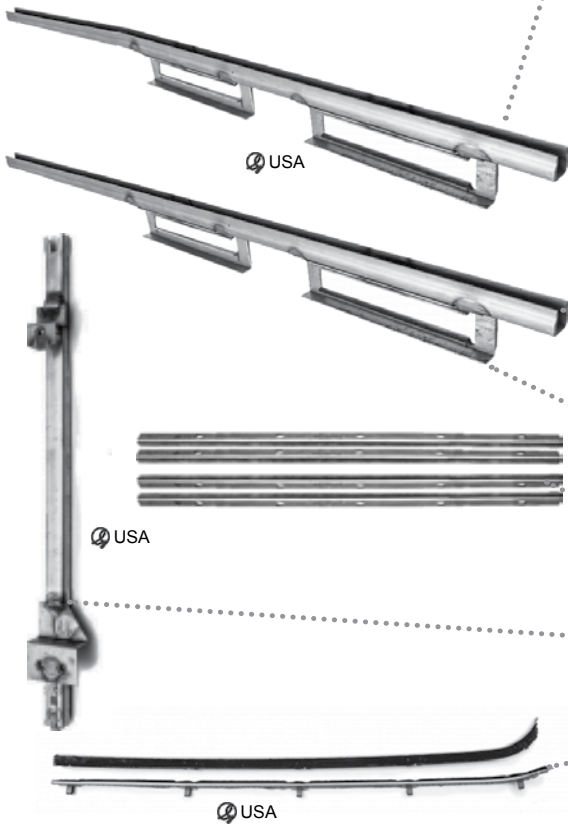


# 1953-55 SOLID SIDE WINDOW KIT



Felt with stainless bead

Some 1953-55 glass passes too far up into the outer corner, best solution for this is to split back of felt channel for about 5 inches in the corner, letting glass pass through slit when rolled all the way up.



## 1953-55 CURVED GLASS KIT

1953-55 doors have a slight curve, and upper hinge and adjoining sheet metal is in the way when eliminating vents. To install solid side windows you need kit with curved glass, OR you need to straighten glass opening. This can be done with our straighteners, but it's a lot of body work as you cut out inner angles along door glass opening and replace with straight pieces. This CURVED GLASS kit can be installed in a finished truck without all that body work as the only cutting is hidden behind door panel. Comes with instructions, upper & back felt runs, lower felts, and everything you need to install. Oversized shipping

### KIT WITH STAINLESS BEAD FELTS

Clear glass.....	91724-C.....	\$365.00 kit
Tinted glass .....	91724-T .....	\$365.00 kit
Smoke glass .....	91724-S.....	\$365.00 kit

### KIT WITH NO BEAD, BLACK

Clear glass.....	91725-BC .....	\$365.00 kit
Tinted glass .....	91725-BT.....	\$365.00 kit
Smoke glass .....	91725-BS .....	\$365.00 kit

### EXTENDED LIFTS FOR CURVED GLASS

Pair, ordered with kit, additional.....	1730-CX .....	\$39.00 pr
---	---------------	------------

Bottom of curved glass needs CURVED extended lift IF using stock window regulators, NOT needed with power window kits

**For best results use the power window kit and the power window install kit on page 94**

## 1953-55 FLAT GLASS KIT

Flat glass, door curve must be straightened, metal angle pieces to straighten door are included. Oversized shipping

### KIT WITH STAINLESS BEAD FELTS

Clear glass.....	91721-C.....	\$350.00 kit
Tinted glass .....	91721-T .....	\$350.00 kit
Smoke glass .....	91721-S.....	\$350.00 kit

### KIT WITH NO BEAD, BLACK

Clear glass.....	91720-NC .....	\$350.00 kit
Tinted glass .....	91720-NT .....	\$350.00 kit
Smoke glass .....	91720-NS .....	\$350.00 kit

### EXTENDED LIFTS FOR FLAT GLASS

Pair, ordered with kit, additional.....	1731-53AD .....	\$39.00 pr
---	-----------------	------------

## INDIVIDUAL SOLID SIDE PIECES

### 1953-55 EXTENDED LOWER LIFT

Use with stock regulators, or if NOT using our TEMPERED glass, Laminated glass may break without support.

Order left or right .....	1731-5355X(R-L).....	\$39.00 ea
---------------------------	----------------------	------------

### DOOR WINDOW SILL STRAIGHTENER STRIPS

Set of inner and outer for each door

Set of 4 .....	3113-4 .....	\$39.95 set
----------------	--------------	-------------

### LOCK SIDE UPPER & BACK CHANNEL BRACKET

Piece upper & back channels slide into, attached to latch (back) side of door above & below star.

Driver side .....	3114-L.....	\$40.00 ea
Passenger side.....	3114-R.....	\$40.00 ea

### LOWER FELT WIPES

Formed, with clips, does one door

Stainless bead .....	1727-5355 .....	\$50.00 pr
Black bead.....	1727-5355B.....	\$50.00 pr
Do-yourself, black bead, glue in .....	1727-BK .....	\$17.50 pr
Do-yourself, stainless bead, glue in ..	1727-ST.....	\$17.50 pr

DRY GRAPHITE small tube .....	3128-23 .....	\$2.95 ea
-------------------------------	---------------	-----------

