

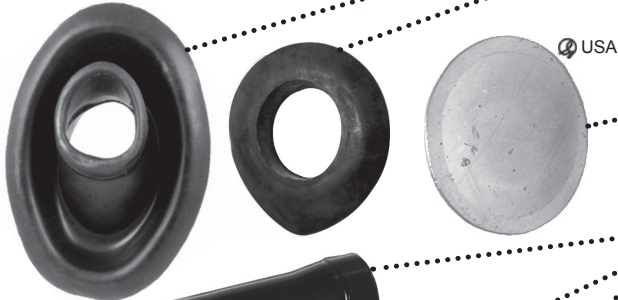
GAS STUFF

GAS CAPS



- Flip key locking1611-R..... \$38.00 ea
- Polished stainless locking cap.....1611-L..... \$13.50 ea
- Very nice cap, smooth and rounded with no markings, no rings*
- Chrome anti-surge stock cap.....1610..... \$9.50 ea
- Nice stock rounded cap, no ugly stickers.*

GAS TUBE TO BODY BOOT



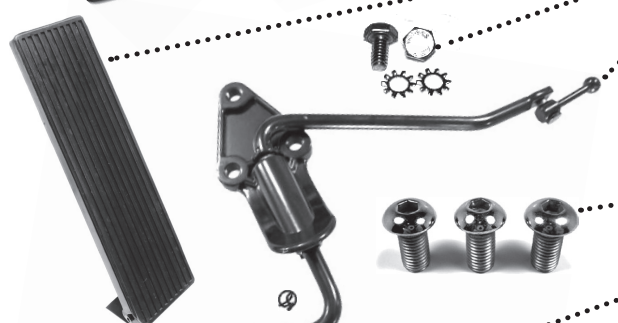
- 1953-551606-5355..... \$15.50 ea
- 1956.....1606-56..... \$15.50 ea
- This one is the correct shape, round ones are actually for the 57-60 and gap when used on 56, which had a slight teardrop shape.*
- Panel truck.....P-1606..... \$22.50 ea

GAS FILLER HOLE PATCH



- 1956 upper passenger side1650-56..... \$15.00 ea
- 53-55 lower driver side1650-5355..... \$22.50 ea

GAS FILLER TUBE



- Plain steel.....1614-K..... \$25.00 ea
- Chrome.....1614-CH..... \$46.50 ea
- Rubber, stock length, use this one1615-SHT..... \$9.50 ea
- Rubber, long1615-LNG..... \$12.50 ea
- Use only with short incorrect replacement tubes you may have gotten elsewhere. Our tubes above are correct length.*
- Other ID sizes and lengths available see page 64*
- Clamp, all stainless.....1616-SS..... \$3.00 ea
- Clamp, polished stainless1616-PS..... \$5.50 ea

GAS PEDAL



- Can sell you the cheaper one but linkage will poke through rubber
- Gas pedal1612..... \$20.00 ea
- Gas pedal bolt set.....81612-SS..... \$1.90 set
- Gas pedal stop bolt & hardware81611..... \$5.00 set
- Pedal through floorboard linkage.....1613..... \$39.95 ea
- Ball swivel goes into back of pedal.*
- Pedal linkage bolt set, bolt heads show on firewall.
- Zinc.....81613-Z..... \$2.00 set
- Stainless bolt set81613-SX..... \$2.50 set
- Polished stainless button.....81613-PB..... \$6.50 set
- Holes plugs if not using linkage.....81614-PS..... \$5.00 set

CHOKE OR THROTTLE CABLE & KNOB

- Cut to fit, best buy, 60".....1014..... \$19.50 ea
- Cut to fit, 36 inches.....1014-36..... \$16.50 ea
- Exact of original.....1013-T..... \$40.00 ea
- The one above is just as good and you can not tell the difference*
- Cable backing nut & washer.....81014..... \$1.00 kit
- Choke & throttle cable grommet.....1618-G..... \$2.00 ea
- Choke bezel.....1035..... \$7.00 ea
- Throttle bezel.....1036..... \$7.00 ea