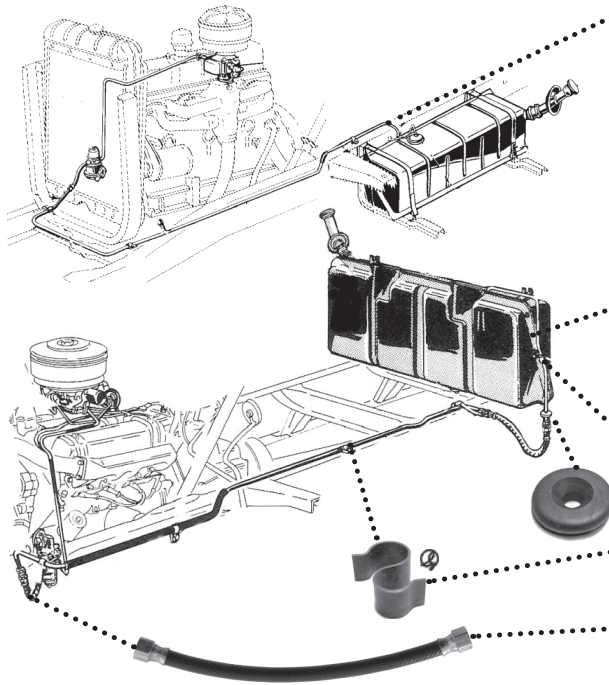


GAS LINES



1953-55 MAIN HARD GAS LINE

Not for flat head, stainless, pre-formed with correct ends and protective covering at frame area.

- 6 cylinder or any passenger side pump.....1667-5355 \$88.50 ea
- 8 cyl Y block or any driver side pump.....1668-5355 \$60.00 ea

1956 HARD GAS LINES

Made for stock but can be used for most any engine, note pump side shown is 8 cyl with pump on driver, Hard line runs across in front and under radiator on the 6 cylinder for pump on pass. side.

- Tank to floor hard line1666-56SS..... \$42.50 ea
- 6 cyl, or pump on pass side, stainless.....1667-56SS..... \$88.50 ea
- 8 cyl, or pump on driver side, zinc.....1668-56Z \$65.00 ea
- 8 cyl, or pump on driver side, stainless1668-56SS..... \$75.00 ea

GAS LINE CLAMP AND BOLT

Special thread cutting bolt and correct clamp. 6 cyl line uses 4, 8 cylinder line uses 2

- Line to 56 tank.....81664 \$0.95 ea
- Line to frame.....81663..... \$0.85 set

GAS LINE FLOOR GROMMET

-1617-G..... \$2.90 ea

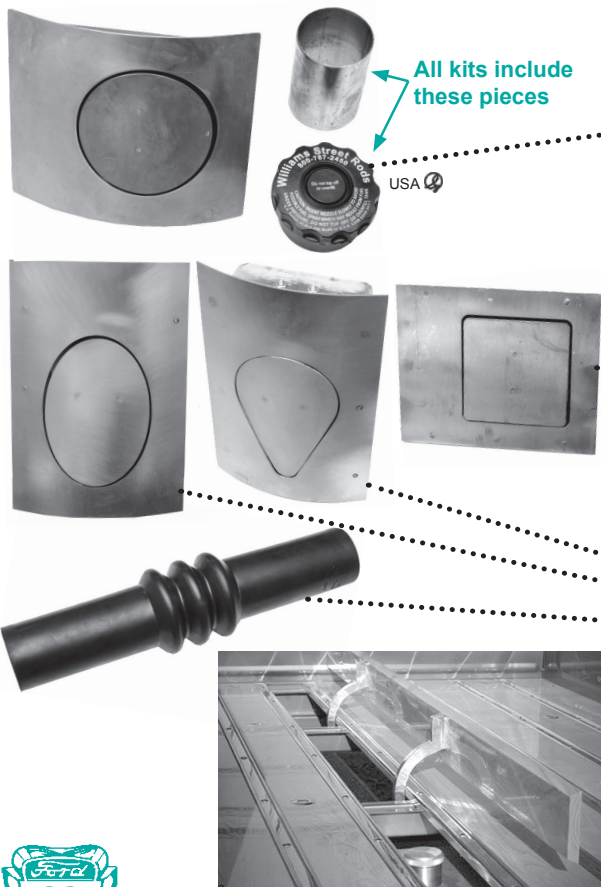
"S" LINE CLIP Joins fuel & brake line

-1636..... \$2.00 ea

FLEX HOSES

- 1953-56 6 & 8 cylinder, line to pump, 9"1665-9 \$12.00 ea
- 1955-56 8 cylinder, line to pump, 11".....1665-11..... \$19.00 ea
- 1956 tank to line1665-56 \$16.00 ea
- 1956 tank to line, stainless1665-56BS..... \$20.00 ea

GAS DOOR CONVERSIONS



CURVED PANEL DOORS

Use for cab or rear fender curved locations. Door is spring loaded with magnetic "touch latch" and pops open, filler spout has nifty trap door and does not have to be removed to refuel.

- 45° tube, round door, opens left1652-45RC \$124.00 kit
- 45° tube, square door, opens left1652-45SC \$124.00 kit
- 45° tube, round door, opens right1660-45RCR.. \$124.00 ea
- 45° tube, square door, opens right1660-45SCR.. \$124.00 ea

FLAT PANEL DOORS

Can be used in bed floor, rear fender or panel truck, or any flat area, can be slightly curved if needed so goes in rear fender by making the slight curve.

- 45° tube, round door, opens left1653-45RF..... \$124.00 kit
- 45° tube, square door, opens left1653-45SF..... \$124.00 kit
- 45° tube, round door, opens right1660-45RFR.. \$124.00 ea
- 45° tube, square door, opens right1660-45SFR.. \$124.00 ea
- Straight tube, round door, opens left1653-90RF..... \$124.00 kit
- Straight tube, square door, opens left.....1653-90SF..... \$124.00 kit
- Straight tube, round door, opens right1660-90RFR.. \$124.00 ea
- Straight tube, square door, opens right1660-90SFR.. \$124.00 ea

TEARDROP FILLER DOOR KIT

-1651-TD..... \$159.00 kit

FORD OVAL DOOR 90° tube

-1654-C..... \$134.00 ea

BENDABLE GAS HOSE

-1661..... \$26.00 ea

2" OD, 2" long but can be trimmed to almost any length and bends to almost any angle. Quite a breakthrough as gas hose is normally very stiff and difficult to work with. To reduce for 1 1/2" just use a little piece of 1 1/2" as a spacer

BED BOARD LIFT FILLER CONCEALMENT KIT

Very nicely made set up that lifts complete bed board for access to underbed tank. Show quality.

- Fits 1952-72.....1657..... \$595.00 kit

