

WIPERS, 1956



Complete Kit
All the stuff!

WIPER ARMS & BLADES

Straight arm, polished stainless

- Driver side 3041-L \$15.00 ea
- Passenger side 3042-R \$15.00 ea
- Matching blade, polished stainless 3044 \$15.00 ea
- Wiper kit, 2 arms 2 blades 93040-56HD ... \$49.95 set

Curved arm, polished stainless

- Driver side 3051-L \$15.00 ea
- Passenger side 3052-R \$15.00 ea
- Matching blade, polished stainless 3054-CV \$15.00 ea
- Chop top kit, 2.5" chop 93060-56 \$59.95 set

We have shorter arms and blades available, just ask

- Wiper blade refills 3059 \$7.00 pr

WIPER PIVOT

- Wiper cowl pivot, 1956 3004-56 \$28.00 ea

Wiper pivot post covers

Polished aluminum, covers wiper post when not using wipers.

- Pointed 3010-P \$24.95 pr
- Stubbed 3010-S \$28.00 pr

Wiper pivot nut, chrome

- Hex, was original on 53-55 3008-CH \$6.00 ea
- Slotted, 1956, see tool below 3007-CH \$6.00 ea
- Wiper pivot nut tool 3006 \$6.00 ea

Getting slotted nut on & off was a paint chipping experience, so we made this handy tool

- Wiper pivot trim ring, chrome 3009-CH \$7.50 ea

- Wiper pivot trim ring, polished alum 3009-PA \$8.90 ea

- Wiper pivot gasket 3011 \$2.50 pr

- Wiper pivot drum repair 3005 \$12.50 ea

UNDER-DASH LINKAGE ,1956

- Linkage arm 3030 \$22.00 ea

Arm fits both sides, has Deleon bushings installed.

- Center link 3023 \$20.00 ea

- Linkage arm bushing, small, one side 3031-SM \$6.50 ea

- Linkage arm bushing, large, other side 3031-56LG \$6.50 ea

- Wiper linkage clip, use 3 3012 \$1.50 ea

WIPER MOTOR

Is under hood on firewall , to move under dash see page 65

- Wiper motor kit 3000-56 \$139.95 ea

Includes electric motor, switch, bracket & clevis, converts 6 to 12 volt and vacuum to electric.

- Motor, vacuum 3019-56 \$139.95 ea

- Motor decal, 12v blue D-300 \$6.50 ea

- Motor to bracket bolts 83001 \$1.00 set

- Wiring grommet 3003-G \$2.10 ea

- Mounting bracket rubber insulator 3001-56 \$3.75 ea

- Bracket to firewall bolts 83002-56 \$1.50 set

- Wiper motor cover 3075-WMC \$49.95 ea

Polished stainless, fits under cowl over wiper motor

WIPER SWITCH

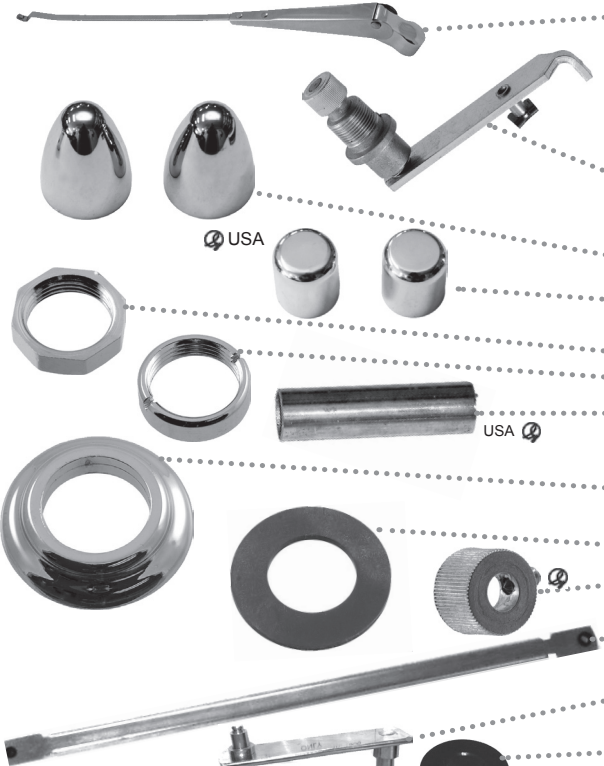
See previous page, switch for 53-55 is the same

"NEED IT ALL" KIT

Everything from knob to the blades, chrome trim, polished stainless arms & blades, motor, switch, bracket & all hardware

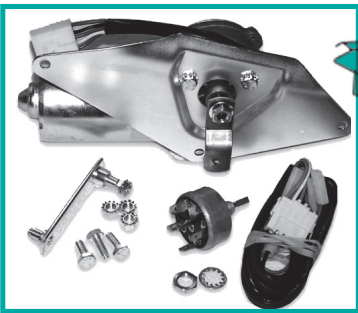
- With underdash assembly 93000-56 \$359.00 kit

- And intermittent wiper 93075-56 \$469.00 kit



USA

USA



Complete Kit
All the stuff!



Complete Kit
All the stuff!

