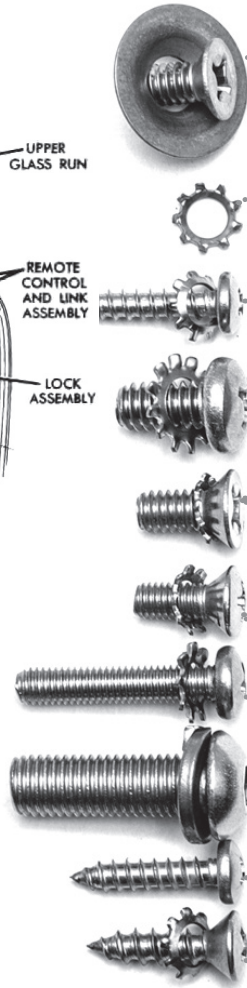
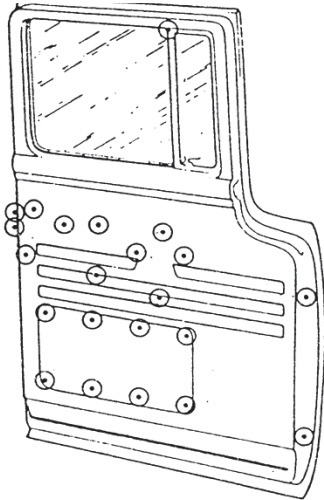
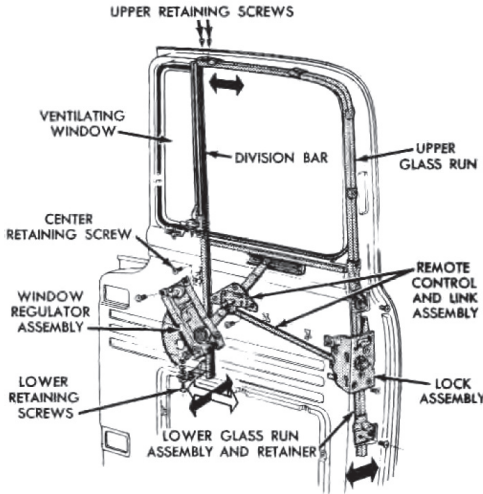


DOOR HARDWARE



REPAIR WASHER & BOLT

For latch, door & window regulators. Special made washer to reinforce "walled" out holes in any of the countersunk locations on door, includes locking bolt
 Each81107.....\$1.70 ea

1956 VENT FRAME SCREW WASHERS

Early production 1956 truck doors had oversize screw holes in this location. If yours is one, this is the fix. Vent frame screw oversize washers
 4 pieces81145-W.....\$0.65 set

DIVISION BAR INSTALL KIT

Stainless83152-SS.....\$3.00 kit
 Polished stainless.....83152-PS.....\$5.90 kit

CHANNEL BRACKET INSTALL KIT

Stainless83153-SS.....\$4.00 set
 Polished stainless.....83153-PS.....\$6.90 set

WINDOW REGULATOR SCREW KIT

Zinc.....81151-Z.....\$3.50 set
 Stainless81151-SS.....\$5.50 set
 Polished stainless.....81151-PS.....\$6.90 set

DOOR REGULATOR SCREW KIT

Zinc.....81090-Z.....\$2.50 set
 Stainless81090-SS.....\$3.50 set
 Polished stainless.....81090-PS.....\$5.00 set

DOOR LATCH SCREW KIT Originals

Zinc.....81108-OZ.....\$3.00 set
 Stainless81108-OSS.....\$5.00 set
 Polished stainless.....81108-OPS.....\$7.50 set

DOOR LATCH SCREW KIT Replacements

Zinc.....81109-RZ.....\$3.00 set
 Stainless81109-RSS.....\$5.00 set
 Polished stainless.....81109-RPS.....\$7.50 set

OUTSIDE DOOR HANDLE SCREWS

Zinc.....81124-Z.....\$1.00 kit
 Stainless81124-SS.....\$1.50 kit
 Polished stainless.....81124-PS.....\$2.00 kit

DOOR HINGE BOLT SET Does one hinge

Black.....81129-B.....\$5.00 set
 Stainless81129-SS.....\$6.75 set
 Polished stainless.....81129-PX or PB.....\$8.50 set

HINGE INSPECTION PLATE SCREWS

Zinc.....81178-Z.....\$3.00 set
 Stainless81178-SS.....\$4.50 set
 Polished stainless.....81178-PS.....\$5.90 set

DOOR INSPECTION PLATE SCREWS

Zinc.....81118-Z.....\$3.50 kit
 Stainless81118-SS.....\$6.90 kit
 Polished stainless.....81118-PS.....\$10.50 kit

COMPLETE DOOR SCREW SET

Zinc.....91120-Z.....\$20.00 set
 Stainless91120-SS.....\$32.00 set
 Polished stainless.....91120-PS.....\$46.00 set

FELT CHANNEL FORMING INSTRUCTIONS

Gently bend in a massaging manner toward end until both stainless beads slide forward.

If bead is caught on channel material, clip channel away from bead until it moves freely

Secure glass in upright position. Locate and match up center point of glass and channel

Smooth and massage channel into gentle curve.

Make sure bead ends are moving out and channel is sliding along entire length

Continue to shape against glass and straight down.

Clip off excess stainless bead. Install formed channels in channel holder brackets. Glue into place. Glue works better than clips in most cases.

Tip, if using clip in or clips, do not file down hole in bracket, file down clip for best results, again, glue works even better. To install cut a piece of 1/4" wood, put it in the channel and tap.

