

# DOOR & WINDOW HANDLES

## OUTSIDE HANDLES

If you are having trouble with handles bought elsewhere ask for button retainer screws 81128. Watch current handles on the market, some are not the best quality or fit, they will "rock" and not set properly on the door. We issued a recall on bad ones, all new ones are correct, we will replace any defective ones, that were bought from us of course.



### COMPLETE KIT

Both handles, button kits, plungers, all pads, and polished screws.  
 No buttons .....91124-NB ..... \$75.00 kit  
 With buttons.....91124-WB ..... \$85.00 kit

### OUTSIDE DOOR HANDLE Highest quality chrome

Driver ..... 1124-L ..... \$40.00 ea  
 Passenger ..... 1124-R ..... \$40.00 ea

### MOUNTING HARDWARE

Stainless .....81124-SS ..... \$1.50 kit  
 Polished stainless .....81124-PS ..... \$2.00 kit

**BUTTON KIT** Does one handle .....81127 ..... \$12.00 kit

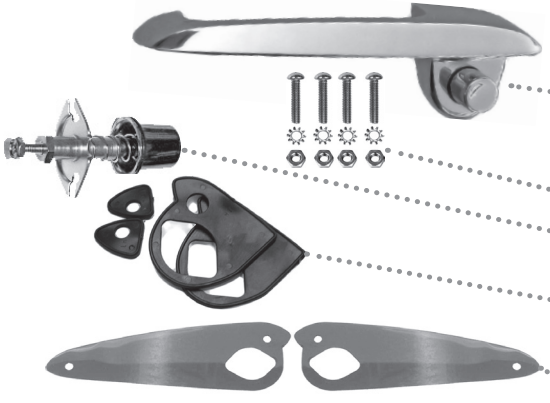
**BUTTON RETAINER SCREWS** .....81128 ..... \$1.00 kit

**DOOR HANDLE PADS** Does both doors ... 1126 ..... \$5.00 set

### DOOR HANDLE SHIELDS

New, made in self adhesive plastic film, lots easier to use protects paint, looks great, easy on and off.

Chrome ..... D-1128 ..... \$6.50 pr  
 Clear ..... D-1128-CLR ..... \$6.50 pr  
 Stainless Steel ..... 1128 ..... \$24.50 pr



## INSIDE HANDLES

### COMPLETE KIT

1953-55 clip type .....91122-5355 ..... \$85.00 kit  
 1956 set screw type .....91122-56 ..... \$80.00 kit

### INSIDE DOOR HANDLES Highest quality, chrome

1953-55 clip type ..... 1121-5355 ..... \$15.00 ea  
 1956 screw type ..... 1121-56 ..... \$15.00 ea

### WINDOW CRANK HANDLE & KNOB Highest quality, chrome

1953-55 clip type ..... 1120-5355 ..... \$15.00 ea  
 1956 screw type ..... 1120-56 ..... \$15.00 ea  
 Knob for window handle, included above ... 1120-K ..... \$6.00 ea  
 Handle clip set, 1953-55 (4) .....81122-5355 ..... \$2.00 set  
 Handle screw set, 1956 (4) .....81123-56 ..... \$2.00 set

### HANDLE TRIM RINGS (ESCUTCHEONS)

1953-55, polished stainless ring & rubber ... 1123-5355 ..... \$7.00 ea  
 1953-55, rubber only ..... 1123-RB ..... \$4.00 ea  
 1953-55, stainless only ..... 1123-S ..... \$5.50 ea  
 1956, polished stainless ..... 1123-56 ..... \$6.00 ea

### HANDLE REMOVAL TOOL

For clip type 1953-55 handles ..... 1122 ..... \$9.95 ea

### HANDLE TRIM DEPRESSION TOOL .....80108 ..... \$15.00 ea

Handy third hand tool, press belly against tool leaving 2 hands free to wrestle the little clip or set screw out, qualifies for rental program

### ARM RESTS, REPRODUCTIONS Plain...2125 .....\$50.00 pr

Complete assemblies ready to cover, if truck did not have arm rests originally, order install kit. If you have rectangular holes order clips. Fat part goes toward front of truck. Arm Rests help stop us from pulling door shut with handle, saving handle and shaft. Base is black  
 Covered arm rests, choice of materials .....2125-CVR ..... \$85.00 pr  
 Arm rest installation kit .....82125 ..... \$5.00 kit  
 Arm rest clip, original for rectangular holes .2124-ELK ..... \$2.50 ea



USA

