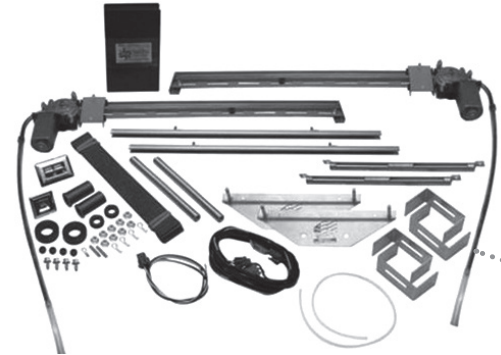


# POWER WINDOWS & DOOR

We stock 3 power window kits, the popular Specialty kit below and our favorite kit on the previous page. All power window kits on the market are "Universal-you-make-em-fit-your-vehicle"



## SPECIALTY POWER WINDOW KIT

Cable driven. Includes black switches, double for driver and single for Passenger, stainless flexible door jam wire conduits and video instructions. Widely advertised, nice instructions, no install kit or switch choices. Nice kit, but same \$\$ would get kit on previous page with fancy billet switches plus the easy install kit, and all with same warranty.  
 Kit ..... 1739 ..... \$395.00 kit



## REMOTE WINDOW & DOOR CONTROLS

### KEYLESS ENTRY KIT

Remote lock and unlock kit. Fun!, I love this, remote locks and unlocks the door, chirps the horn and flashes the lights, just like in a new truck. Neat!!! Complete with 2 remotes, power box, relays and instructions. All the figuring has been done for you, easy install  
 Kit ..... 3239 ..... \$199.00 kit



### REMOTE CONTROLS

These include the 40 amp relays pre-wired and built into wire harness, so you can power the solenoids needed to open f-100 doors with power to spare. See solenoid below.  
 2 Function, for doors or windows..... 1746-2 ..... \$110.00 kit  
 7 Function, for just about anything ..... 1747-7 ..... \$160.00 kit



**WATERPROOF BUTTON ENTRY** ..... 1753-WR.... \$38.50 ea  
 For activating solenoid, 5/8" x 1/4" 1/2" hole

### DOOR POPPERS

25 lb, aluminum ..... 3232-DP2 ..... \$56.50 pr  
 25 lb, stainless version ..... 3232-SS ..... \$34.50 pr

### DOOR OPENING SOLENOID

Extra heavy duty with brackets, 2 3/4" high, 2 1/16" thick, 4 1/4" long, cables, pulleys, connectors, wire, hardware and instructions.  
 For 2 doors ..... 1750 ..... \$189.00 kit



### MURPHY'S LAW EMERGENCY DOOR RELEASE KIT

Murphy says electrical system will go bad. Back-up for driver door when it does. 8 Ft. Stainless encased cable, & braided wire loom, billet ends, pull knob, cable clips and hardware.  
 Kit ..... 1752 ..... \$39.95 kit

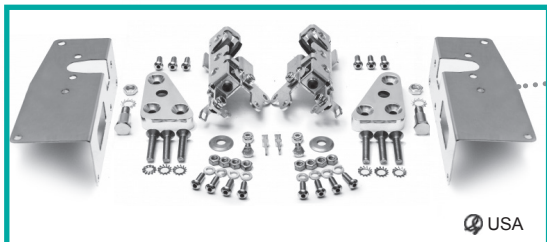
### WIRE CONDUITS

Braided ..... 1738 ..... \$34.50 pr  
 Nylon ..... 1736 ..... \$16.95 pr  
 Pair includes all 4 grommets



## ALTMANS EASY LATCH

Neat, clean, easy to install, solves lots of problems. Will not fit any other makes or years, sorry. Uses stock door handles inside and out. Even locks with stock outside key lock! (Inside handle does not lock door) plates can be welded or bolted in, and cover the only hole made. Striker and pin are included and bolt on, covering original striker location. Perfect for an already painted truck, really neat kit !!!!



Plain steel kit ..... 1109 ..... \$250.00 kit  
 Polished stainless, plates & bolts are polished 1109-PS..... \$325.00 kit  
 Plain steel kit for shaved outside handles ..... 1109-NH ..... \$225.00 kit  
 Shaved, polished ..... 1109-NHPS ... \$260.00 kit

