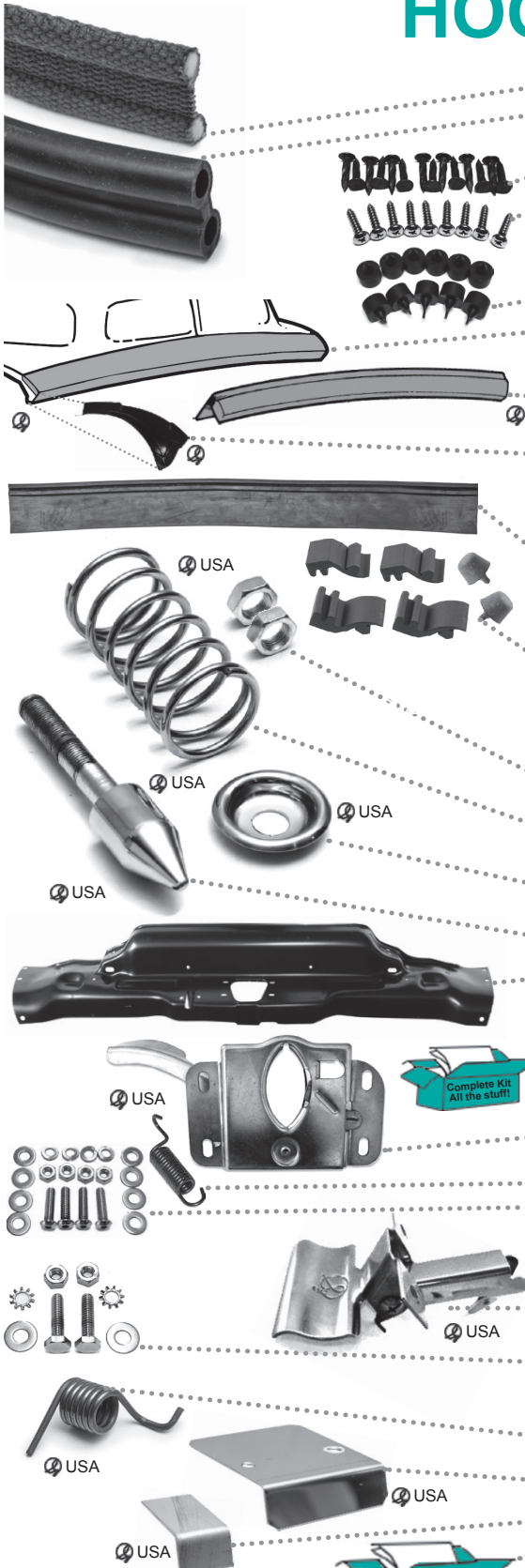


# HOOD STUFF



**HOOD LACING** *Rear hood rest that's attached to cowlung, correct size!!*  
 Original, a woven material ..... 2007 ..... \$15.00 ea  
 Rubber, this one looks cleaner ..... 2007-R ..... \$10.00 ea  
 Self adhesive, domed ..... 2006 ..... \$12.00 ea  
 Hardware, original spiral tacks ..... 82007 ..... \$0.90 set  
 Hardware, polished stainless screws ..... 82008 ..... \$5.00 set

**HOOD TO COWL BUMPERS**  
*Don't like hood lace, or need to raise or lower hood at cowl? Set of small rubber bumpers, order your choice of heights*  
 3/8", 7/16" for flip kits, 1/2" or 5/8" ..... 82006-(size) ..... \$6.90 set

**LEADING EDGE OF HOOD** ..... 7756 ..... \$79.00 ea  
*The front outer upper edge and angle with correct contour. Perfect rust repair*

**FRONT HOOD UNDER SECTION** ..... 7755 ..... \$89.00 ea  
*Complete piece goes all the way across with hood dowel location.*

**FRONT CORNER HOOD POINTS**  
 Driver side ..... 2080-L ..... \$20.00 ea  
 Passenger side ..... 2080-R ..... \$20.00 ea

**HOOD TO RADIATOR SEAL HANGER**  
 Steel channel on hood underside ..... 2309 ..... \$6.00 ea  
 Rubber seal ..... 2306 ..... \$6.00 ea  
*Top lip slides inside 'C' channel, hangs down from hood*

**HOOD BUMPERS**  
*Bumpers have a bigger shaft if yours are falling out of hood, these fix.*  
 Complete set ..... 2008 ..... \$8.50 kit  
 Upper bumpers only, ones in hood ..... 82006-56 ..... \$3.00 pr  
 Hood to fender bumper, on fender ..... 2009-B ..... \$2.50 ea

**HOOD DOWEL**  
 Hood dowel taps (nut) 2 pieces ..... 2013-N ..... \$2.00 pr  
 Hood dowel spring, stainless ..... 2012-SS ..... \$9.75 ea  
 Hood dowel spring, polished ..... 2012-PS ..... \$12.50 ea  
 Dowel spring retainer washer, stainless 2013-W ..... \$8.50 ea  
 Dowel spring retainer washer chrome... 2013-WCH ..... \$10.90 ea  
 Hood dowel pin, plain ..... 2013 ..... \$25.00 ea  
 Hood dowel pin, chrome ..... 2013-CH ..... \$32.50 ea

**UPPER RADIATOR VALANCE** ..... 2335 ..... \$139.95 ea  
*Hood locking panel, see page 73 for more valance parts*

**HOOD CENTER LATCH** *Goes on top*  
 Polished kit, includes everything below  
 With polished hex head bolts ..... 92017-PX ..... \$59.95 kit  
 With polished button head bolts ..... 92017-PB ..... \$59.95 kit  
 Hood center latch, stainless ..... 2017-SS ..... \$38.50 ea  
 Hood center latch, polished ..... 2017-PS ..... \$54.50 ea  
 Hood center latch spring ..... 2018 ..... \$1.00 ea  
 Center latch bolts, polished button ..... 82017-PB ..... \$9.50 set  
 Center latch bolts, stainless ..... 82017-SS ..... \$4.50 set  
 Center latch bolts, polished hex ..... 82017-PX ..... \$8.50 set

**HOOD SAFETY LATCH** *Do not use with hood flip kits*  
 Safety latch, stainless ..... 2016-SS ..... \$28.50 ea  
 Safety latch, polished stainless ..... 2016-PS ..... \$36.50 ea  
 Install bolts, stainless ..... 82014-SX ..... \$3.90 set  
 Install bolts, polished hex ..... 82014-PX ..... \$4.75 set  
 Install bolts, polished button ..... 82014-PB ..... \$4.90 set  
 Safety latch repair spring ..... 2015 ..... \$3.75 ea  
 Safety latch repair rivet ..... 2014 ..... \$1.00 ea  
 Latch hole bolt on cover, polished ..... 2339-CV ..... \$9.00 ea  
 Latch hole weld on patch ..... 2339-FP ..... \$2.75 ea

**COMPLETE KIT**  
*Center & safety latch, dowel, spring & all hardware.*  
 Stainless & plain steel ..... 92015-SS ..... \$116.95 kit  
 Polished stainless & chrome ..... 92016-PS ..... \$149.95 ea



**HOOD STUFF**

**1-800-252-1956**