

# SHORT BED KITS

## CHOICES CHOICES CHOICES, SEE THE NEXT 2 PAGES FOR SHORT BED KITS

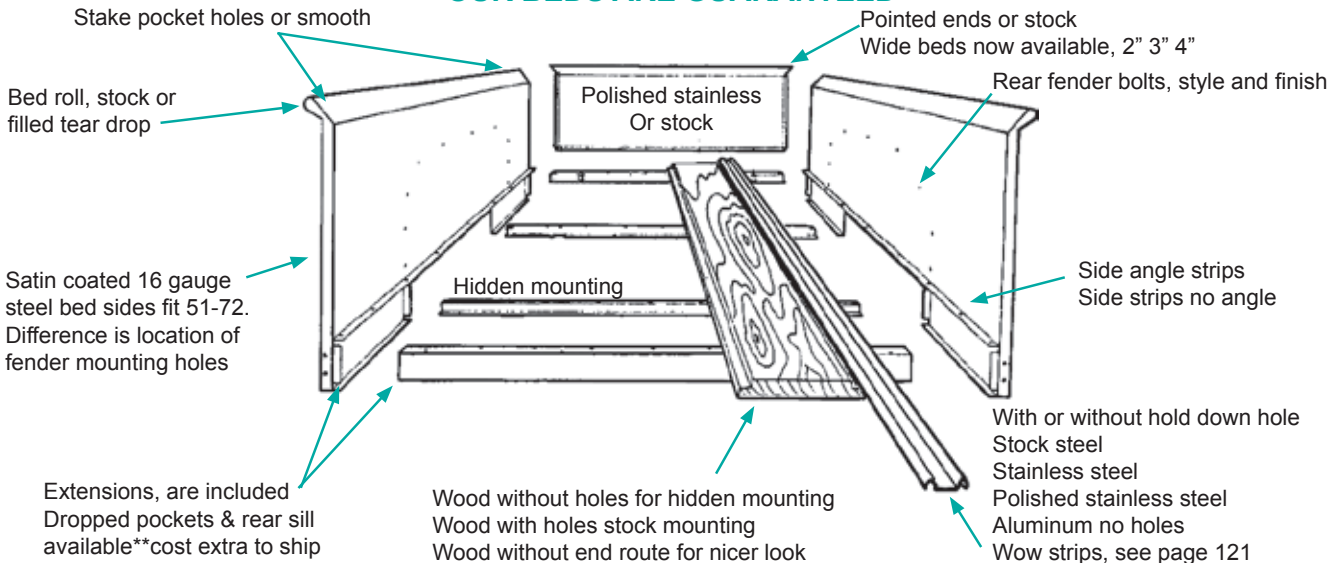
Choices when considering truck beds are endless, and confusing. We offer the bed in a variety of styles, types & combinations. See the following pages for kits. Please call for help if needed. Remember, kits are cheaper than individual pieces. We can almost always build a kit that has exactly what you want.

Bed sides fit 1953 through 1972, only difference is location of fender mounting, 57-72 are higher, if your running boards are not lining up this could be the problem, Ford sold a lot of replacement bedsides with 57-72 mounting pattern during the 70's. Beds are made of 16 gauge satin coated steel, unless otherwise noted. We have a display with no rust after 10 years of handling!!

Bed kits ship freight prepaid. A shipping quote will be needed based on your order and location. To get our sizable discount on bed freight costs please note these instructions. You should always try to ship to a business address or pick up at a dock, residential delivery adds at least \$98.00. Bed sides specially packaged additional \$50.00.

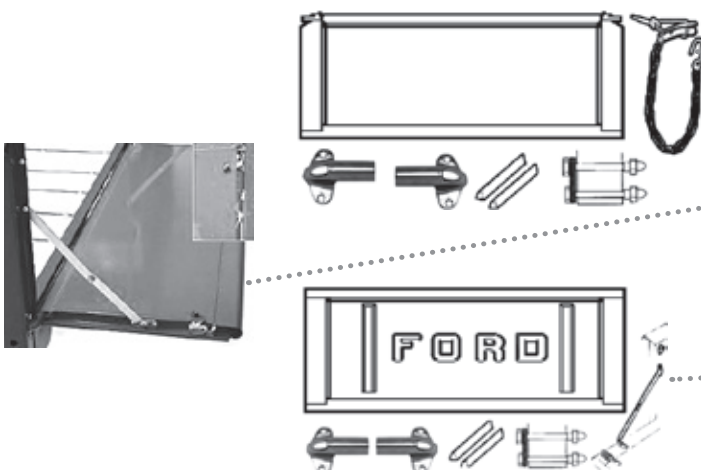
We price match most any competitor. You may not see the bed a competitor advertises on these pages. After 35 years we have a pretty good idea of what goes together best, and list kits so you end up with the best combination. Also there are beds that Sy will not sell for various reasons. Keep in mind what you want to end up with, polished stainless, tailgates with hidden supports or latches, no bolts showing, etc Please call, we can help and work up any combination you wish so you get what you want.

### OUR BEDS ARE GUARANTEED



### ADD A TAILGATE KIT BELOW TO ANY BED KIT ON THESE 2 PAGES

Or see all tailgate choices on page 125



#### NO LETTERS

##### Stock supports

- Steel mounting..... 90253-Z.....CALL
- Polished mounting..... 90253-PS.....CALL

##### Chrome thumb latches and supports

- Polished hinges ..... 90255 ..... \$449.95 kit

##### Hidden bearclaw latches and supports

- Plain steel..... 90258 ..... \$385.00 kit
- Polished..... 90259 ..... \$469.00 kit

#### WITH LETTERS

##### Stock supports

- Steel mounting..... 90252-Z..... \$415.95 kit
- Polished mounting..... 90252-PS..... \$499.95 kit

##### Chrome thumb latches and supports

- Polished hinges ..... 90254 ..... \$519.95 kit

