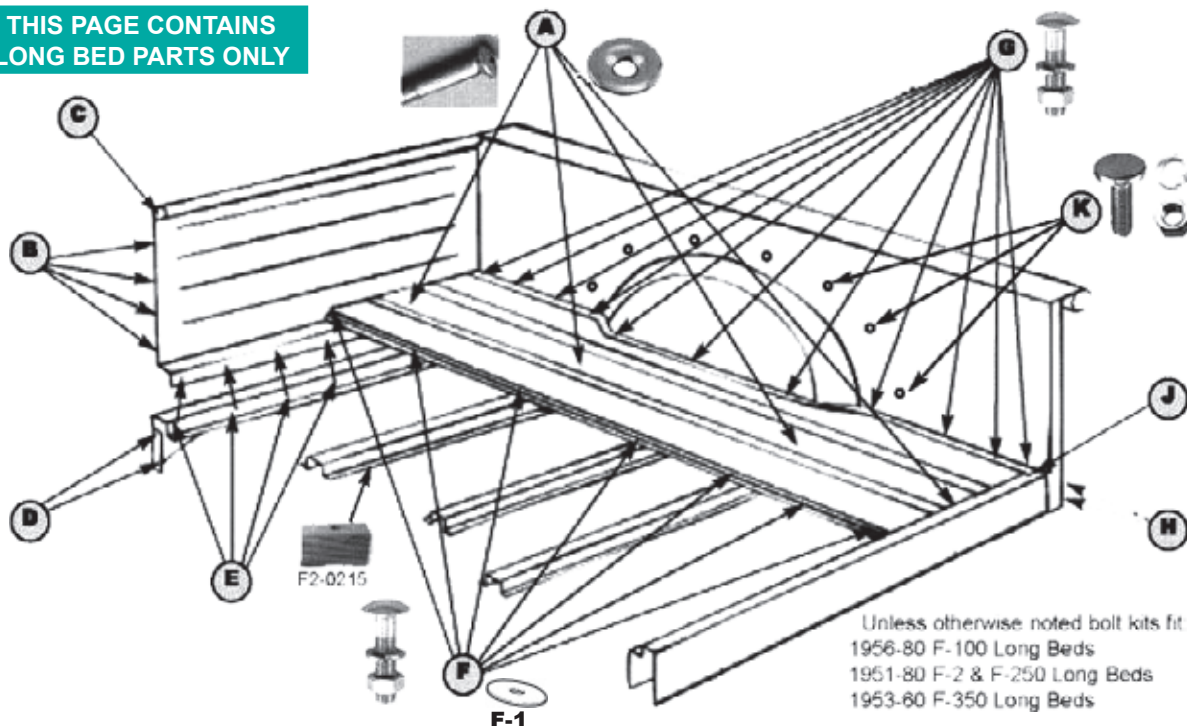


LONG BED BOLT KITS

THIS PAGE CONTAINS
LONG BED PARTS ONLY



Unless otherwise noted bolt kits fit
1956-80 F-100 Long Beds
1951-80 F-2 & F-250 Long Beds
1953-60 F-350 Long Beds

A.) HOLD DOWN BOLTS

Includes countersunk washers. Long beds 1953-80 F250, 56-80 F-100, 53-60 F-350

- Replacements, zinc F2-80212-Z\$30.00 kit
- Replacements, stainless..... F2-80212-SS.....\$45.00 kit
- Replacements, polished F2-80212-PS.....\$70.00 kit

B.) FRONT PANEL TO SIDE PANEL BOLTS

Polished kits include polished acorn nuts.

- Hex, zinc..... F2-80202-Z\$7.50 kit
- Hex, polished stainless..... F2-80202-PX.....\$22.50 kit
- Button, polished stainless..... F2-80202-PB.....\$28.50 kit

C.) FRONT PANEL TOP ROLL TO SIDE BOLTS

- Hex, zinc (ea) F2-80201-Z \$1.65 ea
- Hex, polished stainless (ea) F2-80201-PX..... \$4.75 ea
- Button, polished stainless(ea) ... F2-80201-PB..... \$5.00 ea

D.) FRONT Crossmember TO LOWER SIDE PANEL

Polished kits include polished acorn nuts.

- Hex, zinc..... F2-80203-Z\$4.00 kit
- Hex, polished stainless(ea) F2-80203-PX.....\$14.00 kit
- Button, polished stainless(ea) F2-80203-PB.....\$15.00 kit

E.) FRONT PANEL TO FRONT Crossmember

These peek out a little if you are looking.

- Hex, zinc(ea) F2-80204-Z\$6.00 ea
- Hex, stainless(ea)..... F2-80204-SX..... \$7.00 ea
- Hex, polished stainless(ea) F2-80204-PX..... \$12.00 ea
- Button, polished stainless(ea) ... F2-80204-PB..... \$14.00 ea

F.) BED FLOOR STRIP BOLTS (Includes F & F-1)

1953-80 F-250 long bed, 56-80 F-100 long bed

- Carriage, zinc F2-80208-Z\$28.00 kit
- Carriage, stainless..... F2-80208-SS.....\$38.00 kit
- Carriage, polished stainless F2-80208-PS.....\$68.00 kit

F-1.) UNDER WASHERS Strip bolt to wood, 1.50 wide

Stainless..... F2-80208-WS.....\$7.50 kit

G.) BED SIDE PANEL FLANGE TO FLOOR BOLTS

- Carriage, zinc F2-80207-Z\$12.50 kit
- Carriage, stainless..... F2-80207-SS.....\$16.50 kit
- Carriage, polished stainless F2-80207-PS.....\$28.50 kit

H.) REAR CROSS MEMBER TO SIDE PANEL

- Hex, Zinc (ea)..... F2-80205-Z\$4.50 ea
- Hex, polished stainless(ea) F2-80205-PX.....\$7.50 ea
- Button, polished stainless(ea) F2-80205-PB..... \$8.50 ea

J.) REAR Crossmember TOP TO SIDE PANEL

- Button, stainless(ea)..... F2-80206-SB\$2.50 kit
- Button, polished stainless(ea) F2-80206-PB\$5.00 kit

K.) REAR FENDER BOLTS Made stainless so we can polish

- With square shoulder, stainless 81541-SS\$37.50 kit
- With square shoulder, polished 81541-PS\$58.50 kit
- Button head with washer, for round holes, does both sides
- Stainless, set of 24 81543-SB\$22.50 kit
- Polished, set of 24 81543-PB\$52.50 kit
- Underside washer kit..... 81546-SS\$6.50 kit

ASSEMBLY BOLT KIT Includes B,C,D,E,H

- Zinc..... F2-80219-Z \$22.50 ea
- Polished stainless..... F2-80219-PX.....\$58.50 kit
- Button, polished stainless..... F2-80219-PB.....\$68.50 kit

FLOOR BOLT KIT Includes A,F,F-1,G,J

- Zinc..... F2-80215-Z\$65.00 kit
- Polished stainless..... F2-80215-PS.....\$150.00 kit

See also individual bolt applications in standard section.