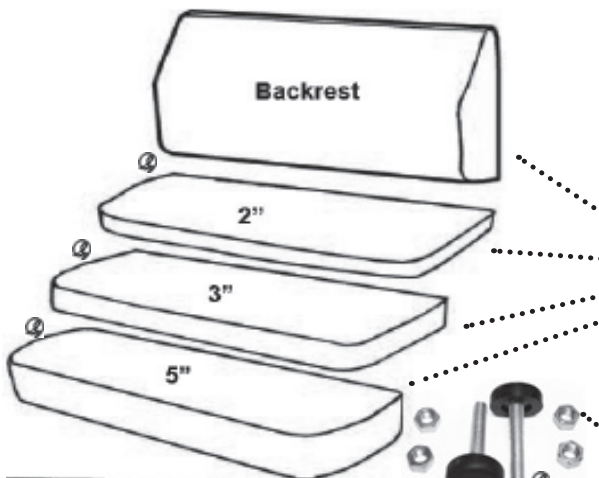
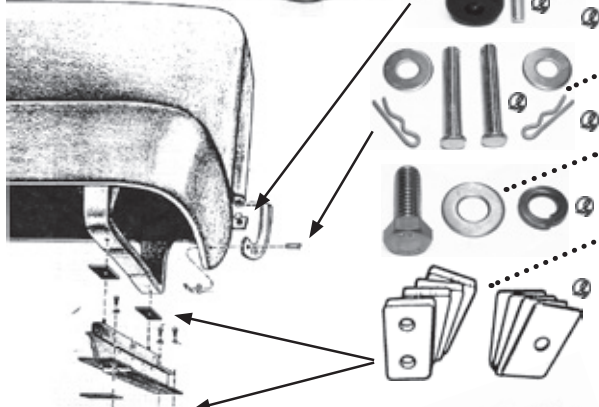


SEAT FOAM • SEAT PARTS

1953-54 Seat and some 1955's had 3" foam over a spring base. Late 55's and the 56 "driverized" seat was a 5" foam base. Our back rest fits both seats and is tapered. We have found on most 53-55's we like a 2" seat base better than 3" and on 56's the 3" seat base gives us larger folks a little extra room. Foam pieces have higher than normal shipping costs

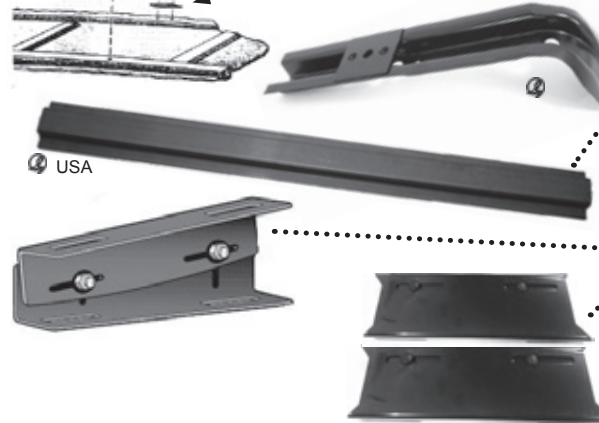


- SEAT FOAM** ^{USA}
- Tapered back rest.....2171.....\$85.00 ea
 - 2" Seat foam.....2172-2\$60.00 ea
 - 3" Seat foam.....2172-3\$65.00 ea
 - 5" Seat foam.....2172-5\$85.00 ea
 - Burlap backing, 60".....2176.....\$8.50 ea
- You need one backing for each piece of foam*

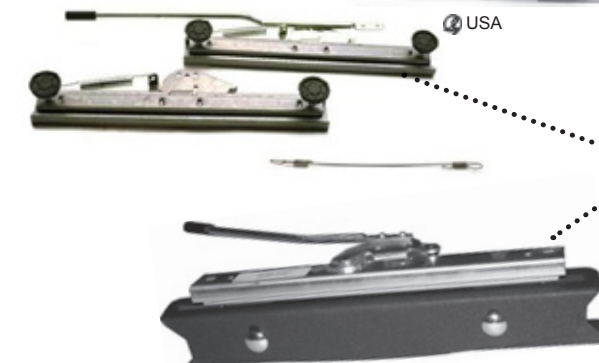


- SEAT FRAME BUMPER**.....82146 \$5.50 pr
This bumper adjusts backrest and clangs each time you move the seat back, so replacing it with rubber head, nice and quiet
- SEAT SWIVEL CLEVIS PIN**82145..... \$3.90 pr
Holds back on, back swivels on pin, does both sides
- SEAT TRACK TO FLOOR BOLTS**.....82140..... \$6.90 kit
Note: 53-55 only uses one hole in front. 56 uses 2
- SEAT TRACK FLOOR INSULATOR**.....2179.....\$1.50 ea
Note: 53-55 only uses one hole in front. 56 uses 2

- FLOOR BRACES**
*Includes seat track mounting plate and taps. Also see page 115
Some trucks did not have, Ford added as it helps with sagging and twisting in the cab*
- Left or right7787.....\$25.00 ea
 - Center brace7788.....\$28.50 ea



- CUSTOM & ADJUSTABLE SEAT RISER**
Pair, does one seat. Universal, adjusts up and down, back and forth. Powder coated. Includes hardware
- 2" (2.25" lowest, 2.5" highest).....2177-2\$79.95 set
 - 4" to 6" (3 7/8" lowest, 6 5/8" highest).....2177-46\$69.95 set
 - Riser hardware, polished.....82177.....\$6.50 ea
- The heads show so of course we polished. Included in our kits, shown in slider & riser kit below, also includes bolts to floor, not polished. Does ONE riser*



- SEAT TRACK SLIDER SET**
Handle releases seat to slide back and forth. Easy install and adjustment, cable pull. One set does one seat, bucket seats need two sets. Includes hardware
- Slider2178-H \$70.00 pr
 - Slider and riser kit, 2".....2178-H2...\$135.00 ea
 - Slider and riser kit, 4"-6".....2178-H4...\$135.00 ea

