

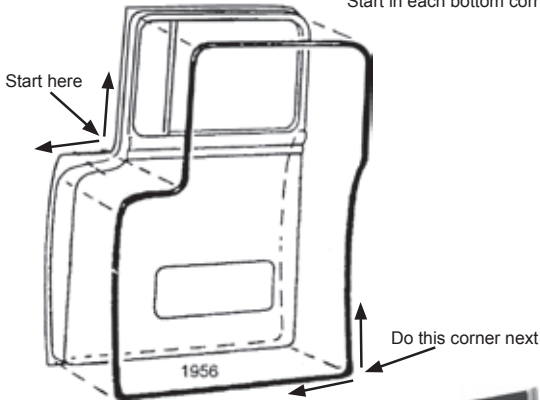
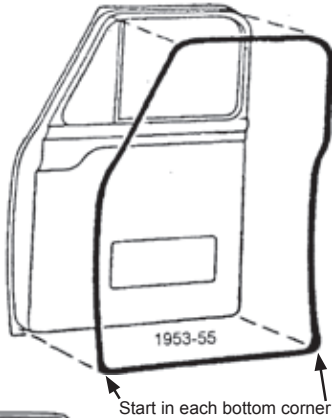
# WEATHERSTRIPPING, DOOR

Lots of choices out there, and we offer them all. Please read this and do not hesitate to call for help deciding which is best for you.

- Exact of original style is just that, exact of fords original. Should set with door closed for a week or so after installation to "seat" or you may think it is too thick.
- Best is our new hollow core seals, solves most normal fit problems, made more like late model rubber, allows door to close & seal properly.
- Domed style, kind of a universal rubber, Dan uses it on trucks he builds with good success. You may need to double up in corners or bring it out more toward edge.
- Econo rubber, others advertise and sell this cheaper seal, so we offer it as well. I do not list it here as it is, frankly, terrible, stinky, glue will not stick to it, yuck!!!!

## DOOR WEATHERSTRIPPING

Each pair is correctly molded in right and left with bottom corners, unconditionally guaranteed. 1953-55 doors do well with our new hollow style or domed style. Note adjustment procedures and hinges.



### HOLLOW STYLE, BEST

1953-55, pair .....	3109-5355 .....	\$55.00 pr
1953-55, one door only.....	3109-5355(L,R) .....	\$35.00 ea
1956, pair.....	3109-56 .....	\$55.00 pr
1956, one door only.....	3109-56(L,R) .....	\$35.00 ea

### DOME STYLE, GOOD

*Universal, hollow core, no corners, self adhesive*

Roll does 2 doors.....	3106-DM.....	\$45.00 ea
------------------------	--------------	------------

### EXACT OF ORIGINAL

1953-55 .....	3105-5355 .....	\$55.00 pr
1956.....	3105-56 .....	\$55.00 pr

### DOOR SEAL LOWER RETAINER STRIP

*A must for all years.*

1953-56 .....	7727 .....	\$4.50 ea
---------------	------------	-----------

### WEATHER-STRIP GLUE, BLACK

*One tube will do both doors.*

Large tube .....	3125 .....	\$8.95 tb
------------------	------------	-----------

### DOUBLE SIDED TAPE

*I like this stuff, place on rubber then peel back as you apply. Comes in a very large roll, handy for many things though*

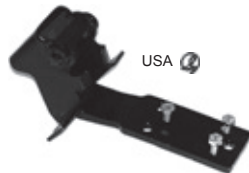
60 yds.....	3129 .....	\$16.50 rl
-------------	------------	------------

### DOOR HINGE, ADJUSTABLE

*This hinge allows for fine tune adjusting of in and out and angles. Easier than Fords solution of bending the entire door. Depending on where adjustments are needed you may need 1 or 2 per door. Includes adjustment set screws but not hinge bolts.*

One hinge.....	1179.....	\$85.00 ea
----------------	-----------	------------

*Also see door hinge bucket and pillars on page 110*



Dome style

Hollow core

Original style

