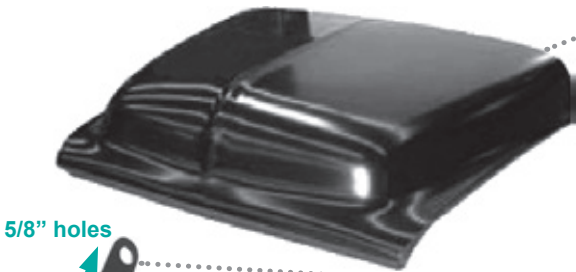


HOOD • HOOD HINGES



STEEL HOOD 7759 \$759.00 ea
Shipping can be crazy high, call for quote

HOOD HINGES

1953-56 Hoods can be interchanged. 56 hinges can be used on 53-55 but 53-55 can NOT be used on 56, emblems can interchange by changing holes. If hood pops up in back while driving, adjust front hood dowel latch forward.

Ned reproduction hood hinges

Complete with spring. Not all springs are equal, many not so good on the market.

- 1956, passenger 2003-56R \$69.00 ea
- 1956, driver 2003-56L \$69.00 ea
- 1953-55, passenger 2003-5355R \$69.00 ea
- 1953-55, driver 2003-5355L \$69.00 ea

Billet aluminum polished hinges

Made for 56 but will fit 53-55 as well, hardware included. Very cool, very expensive. Still works the same as stock hinges, including original issues

- Pair 2004 \$649.00 pr

HINGE BASE ACORN NUTS 82011 \$7.50 set

Only one side, bolts show when hood is open, these cover threads.

CHROME PLUGS 82025 \$5.00 set

For holes if not using hinges

HOOD TO HINGE SHOULDER BOLTS

Stock size

- 1953-55 2010-5355 \$3.50 ea
- 1956 2010-56 \$4.50 ea

Oversize threads

If original nuts are secure but stripped, tap nut to 3/8 SAE threads.

- 1953-55 2011-5355 \$10.00 ea
- 1956 2011-56 \$10.00 ea

Bolts for fiberglass hoods

Fiberglass hoods require longer bolts to reach threaded inserts

- 1953-55 2010-5355FB \$9.00 ea
- 1956 2010-56FB \$9.00 ea

HOOD BOLT SAFETY WIRE 2005 \$2.50 rl

Bolts have holes for this wire, it goes through both bolts keeping them stationary

HOOD BOLT SPRING WASHER

- 1953-55 set of 4 82009-5355 \$4.50 set
- 1956 set of 4 82009-56 \$4.50 set

HOOD NUT REPAIR KIT 82012 \$12.50 kit

Replaces missing tack welded nuts in hood braces, special taper sleeve nuts that collapse within, locking onto sheet metal. Simple installation tool and instructions included. Nut must be secure for hood to operate properly, set of 4 does both sides.

HOOD HINGE SPRING 2002 \$19.95 ea

Spring is intended to tighten only 1/3 to 1/2 a turn.

SPRING INSTALLATION TOOL & INSTRUCTIONS

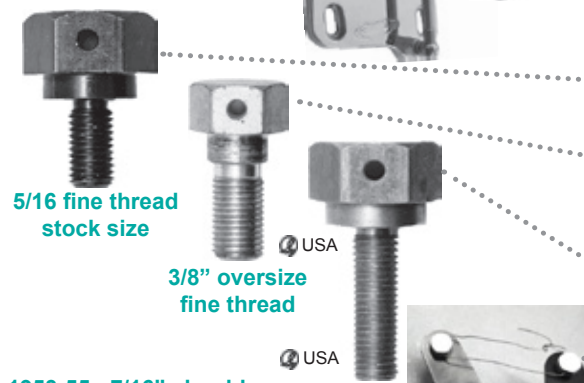
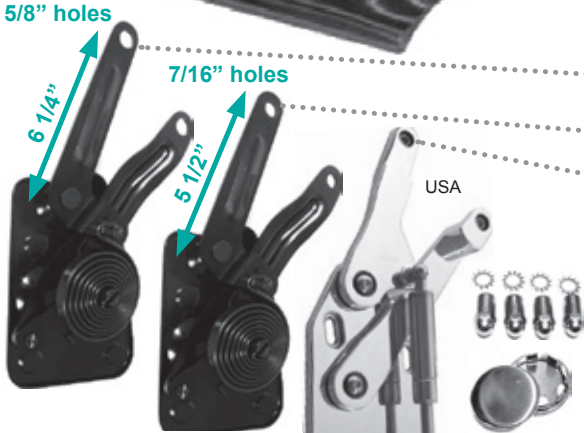
For removing & replacing springs 82002 \$13.50 ea
 Also Included in repair kit below. Note we have new reproduction hinges so you might rethink rebuilding old ones.

HOOD HINGE REPAIR KIT

Includes 2 new reproduction springs, installation tool, 4 shoulder bolts, nut repair kit & instructions.

- 1953-55 92002-5355 \$69.95 kit
- 1956 92002-56 \$69.95 kit

Note we have new reproduction hinges so you might rethink rebuilding old ones.



1953-55 - 7/16" shoulder
 1956 - 5/8" shoulder

