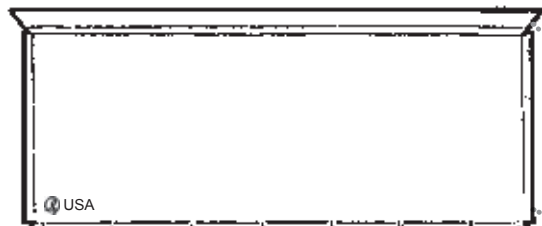


# BED PARTS

Bed kits have big discounts. Check with us if considering individual pieces or call for help. Complete kits often ship for the same price as just one bed side



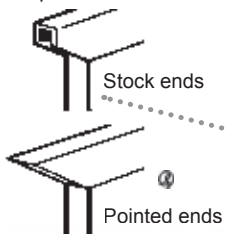
### FRONT BED PANEL TOP ANGLE BOLTS

Zinc.....	80202-Z .....	\$2.00 set
Polished stainless hex head .....	80202-PX.....	\$7.90 set
Polished stainless buttons .....	80202-PB.....	\$8.90 set

### FRONT BED PANEL *Oversize shipping*

Pointed ends, USA made .....	0200-14.....	\$175.00 ea
Stock ends, USA, stock .....	0200.....	\$175.00 ea

Lower edge of front bed panel goes under bed wood. Edge of side panel goes over bed wood.



Stock front panel end is open and did not match the side, this lets water in and looks yucky, so we make it both ways. All our bed kits include the pointed one except Stone stock bed kit. If you want stock original please ask NOTE: Our panel does not fit China bedsides



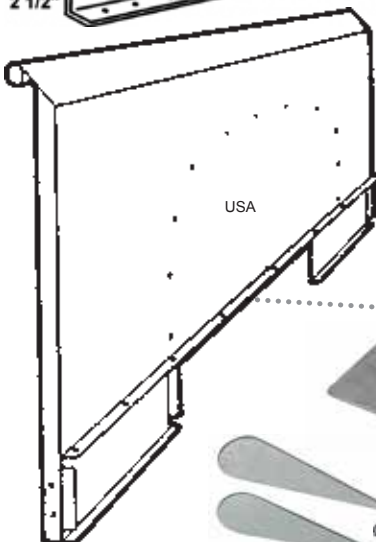
### FRONT PANEL LOWER REPAIR FLANGE

*Use if your lower front bed panel is rusted, goes under bed wood*

Repair flange .....	0210-RP.....	\$29.50 ea
---------------------	--------------	------------

### BED SIDES TO FRONT BOLTS

Polished hex with acorns.....	80205-PX.....	\$15.00 set
Polished button with acorns.....	80205-PB.....	\$16.00 set
Zinc.....	80205-Z.....	\$5.00 set



NOTE: China made bed sides, may not fit exactly with USA components

### SIDE BED PANELS *Oversize shipping*

*With stake pockets, extensions & fender holes. 1953-56*

Stock with stake pocket holes .....	0202-(R or L) ...	\$300.00 ea
Smooth, no stake pocket holes 16 ga ..	0203-(R or L) ...	\$310.00 ea
Teardrop bed panels, smooth.....	0201-(R or L) ...	\$445.00 ea

*Front & rear roll ends in teardrop shape*

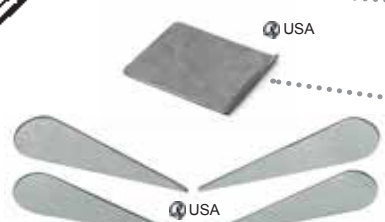
### STAKE HOLE REPAIR PATCH

Each, need 4 .....	0225-1.....	\$6.00 ea
--------------------	-------------	-----------

### TEARDROP INSERTS

*Must be welded on, same as used on ours*

Plain steel set of 4 .....	0218-4.....	\$25.00 set
Stainless, buff to polish after installed ..	0218-SS.....	\$40.00 set



### STAKE POCKET

Front .....	0205-F .....	\$45.00 ea
Rear, with or without holes for gate, light & chains		
With holes, left.....	0205-RL.....	\$49.00 ea
With holes, right.....	0205-RR .....	\$49.00 ea
No holes, left.....	0205-RLN .....	\$49.00 ea
No holes, right .....	0205-RRN.....	\$49.00 ea
End rolls, rear .....	0229 .....	\$39.95 pr
End rolls, front .....	0229-F .....	\$39.95 pr
Reversed end rolls, rear .....	0229-RRF .....	\$49.95 pr
Reversed end rolls, front .....	0229-RRR.....	\$49.95 pr

### SIDE BED PANEL EXTENSIONS

Rear, right and left are the same .....	0207.....	\$16.50 ea
Front, left .....	0206-L.....	\$22.00 ea
Front, right .....	0206-R.....	

