

BED TRIM



Plugs and lights. 15/16" fits Chevy or beds made with pipe rolls. 1 1/8" fits Pros-Pic & others, 1 1/4" fit ours, most stock beds, Mar-K beds, Murthum beds and others.

BED ROLL PLUGS

- Chrome 1.25"80217 \$4.00 pr
- Chrome 1.5".....80216 \$5.00 pr
- Billet alum w/ 'O' rings 1 1/8"0217-AL..... \$29.50 pr
- Polished alum w/ 'O' rings 1 1/8"0217-PL..... \$29.50 pr
- Polished alum with 'O' ring 1 1/4"0240-P..... \$29.50 pr



FUN LIGHTS

Fits bed roll, white lens, choice of bulb colors

- Clear bulb2228 \$9.50 pr
- Red, blue, amber, green, or purple.....2228-(color) \$12.00 pr



BED ROLL LIGHTS

Polished aluminum housing for brake and turn signals, doubles as "third light".

- LED, 15/16" hole red0244-16 \$125.00 pr
- LED, 1 1/8" hole, red0244-18 \$125.00 pr
- LED, 1 1/4" hole, red0244-25 \$135.00 pr
- LED, 1 1/4" hole, white0244-25W. \$130.00 pr
- LED, 1 1/4" hole, amber0244-25A.. \$125.00 pr
- Standard bulb, red, 3rd brake light only.....0228-RN..... \$78.50 pr
- Standard bulb, amber0242-A..... \$77.50 pr
- Reflectors, no bulb
 - Red0241 \$45.00 pr
 - Just for you out of country guys, amber .0241-A..... \$46.00 pr



STAKE POCKET HOLE PATCH

Do it yourself weld in patch for pocket hole, smooths out bedside

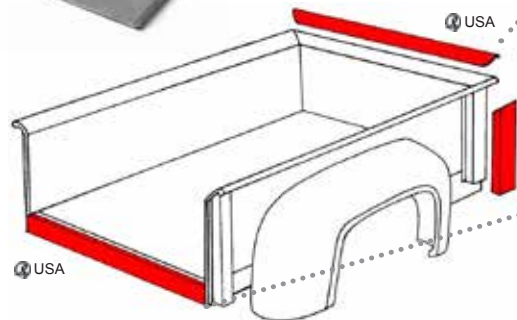
- One only0225-1\$6.00 ea
- Set of 40225-4\$20.00 set



FRONT PANEL STAINLESS TRIM

Handy cover-up for slight damage.

- Stock panel ends0219\$49.95 ea
- Custom pointed ends, quick update0219-PT\$49.95 ea



BED POST POLISHED STAINLESS COVERS

- Set of 40220\$88.50 set
- One piece only0220-1\$25.00 ea

DOUBLE SIDED TAPE KIT

For installing stainless trim covers

-80225\$2.50 kit

DUALOC ADHESIVE TAPE 6 pcs

Like velcro but much stronger, made for attaching trim and such

-82149-6..... \$10.00 kit

REAR SILL Crossmember REPAIR OR COVER

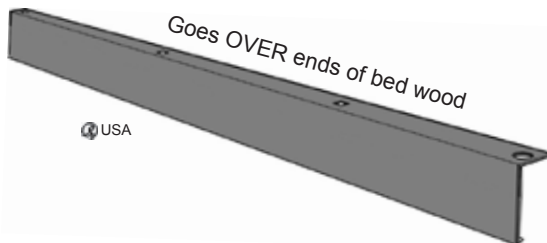
Quick and easy repair or cover up of damaged rear sill.

- Plain steel0221-RZ\$32.50 ea
- Polished stainless.....0221\$42.50 ea
- Louvered, polished stainless 0221-LV \$57.50 ea

SILL & WOOD CAP COVER COMBO

Covers rear crossmember and bed wood ends. Replaces bed end cap, covers wood, then comes straight down and covers rear sill. Neat, clean and covers any dings in rear sill, good repair or cover, smooth custom look

- Plain steel0221-CZ\$38.50 ea
- Polished stainless0221-CP\$55.00 ea
- Bolt kit, same as rear end cap80204-PS\$6.90 set



See also dropped rear sills on page 124

