

ROLL PANS

Beautifully crafted and hand finished, highest quality 18 gauge steel. Replaces bed extension Or can be trimmed to go under extension. Covers rear bed crossmember. Hand finished seams. Meets bottom of rear fender



ROLL PAN WITH LIGHTS

Does not require trimming rear x-member. Bolt or weld on, fits over & flat against rear bed sill, license box and lights are beneath rear x-member, (no cutting), replaces rear extension and even with bottom of fenders. All are also available with NO license box, just call

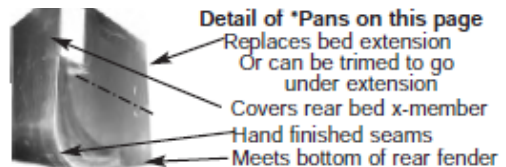
- With rectangular lights
 - 4 LED lights & license box.....7252-4WB... \$365.00 ea
 - 2 LED lights & license box.....7252-2WB... \$285.00 ea
- With oval lights
 - 4 standard lights & license box.....7255-4WB... \$250.00 ea
 - 2 standard lights & license box.....7255-2WB... \$220.00 ea
 - 4 LED lights & license box.....7253-4WB... \$365.00 ea
 - 2 LED lights & license box.....7253-2WB... \$265.00 ea

ROLL PAN, NO LIGHTS

- Smooth, no lights or box.....7242..... \$155.00 ea
- With license box no lights.....7242-B..... \$175.00 ea

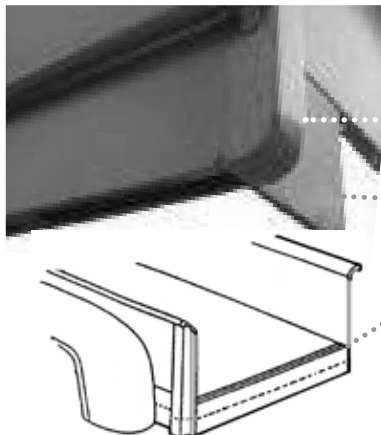
OTHER CUSTOM ROLL PANS

- Curved license box and slotted lights.....7265-CSD... \$385.00 ea
- With ford script.....7262-FS4... \$375.00 ea
- With ford in oval.....7261-FO4... \$375.00 ea
- With 6 oval lights small-med-lg & box.....7268-BV..... \$365.00 ea
- With year & ford.....7263-YF..... \$385.00 ea



DROPPED REAR SILL

Complete kit.....90237..... \$219.95 ea
 Use in place of roll pan. Dropped sill with dropped extensions & curved end caps for stake pockets brings rear down to meet fender, makes truck look lower. Requires welding



- Dropped rear stake pockets
 - Straight flat open bottoms.....0239..... \$99.95 pr
 - Curved closed bottoms front.....0239-XF..... \$150.00 pr
 - Curved closed bottoms rear.....0239-XR..... \$150.00 pr
- Dropped rear bed extensions.....0238..... \$50.00 pr
- Dropped rear sill (crossmember).....0237..... \$135.00 ea
- Dropped rear sill with lights.....0237-(style). \$250.00 ea
 Custom cut, flames, Ford, ovals. Made to order

