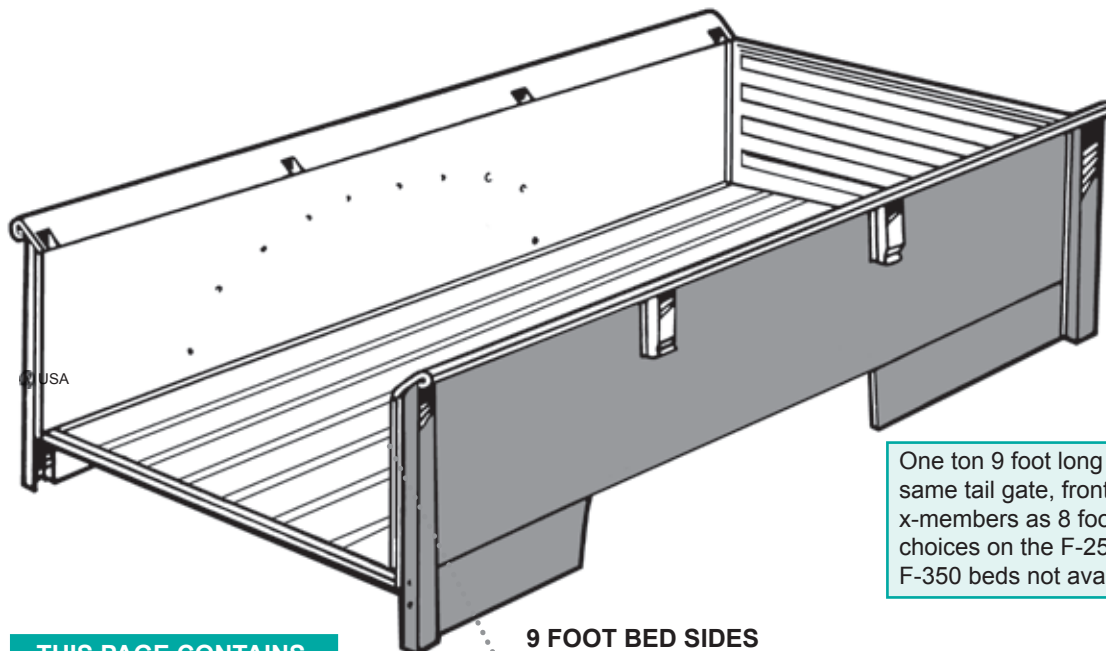


# 9 FOOT LONG BED



One ton 9 foot long bed uses same tail gate, front panel, and x-members as 8 foot bed. See choices on the F-250 pages. F-350 beds not available in kits.

**THIS PAGE CONTAINS LONG BED PARTS ONLY**

### 9 FOOT BED SIDES

*Please call us about long bed sides to see if they are available*



### BED PANEL EXTENSION (included with bedside above)

- Front order right or left.....F3-0206-(R or L)....\$42.50 ea
- Rear order right or left .....F3-0207-(R or L)....\$30.00 ea



### BED STRIPS

**Stock square punched holes. Sold in sets of 6 pcs.**

- Steel, satin finish with holes .....F3-90208-Z.....\$140.00 set
- Stainless steel .....F3-90208-S.....\$195.00 set
- Polished, with holes.....F3-90208-P.....\$195.00 set

**No holes. Drill your own, sold each**

- Steel .....F3-0212-Z.....\$22.00 ea
- Polished stainless.....F3-0212-P.....\$32.00 ea

**Polished wow strips with hidden fastness**

- Set includes special "T" bolts.....F3-90209-P.....\$299.00 set



### 9 FT BED WOOD

*Red oak, 7 pcs, 1 center, 2 middles, 2 left sides & 2 right sides.*

- No holes or wheel tub cutouts .....F3-90213 .....\$395.00 ea
- With holes & wheel tub, 1951-55.....F3-90211-5155 ...\$495.00 set
- With holes & wheel tub, 1956-60.....F3-90211-5660 ...\$495.00 ea



**INSULATORS** Crossmember to frame ...F2-0214 .....\$10.00 ea



**WOODEN MOUNTING BLOCKS** .....F2-0215 .....\$49.00 set

*Go inside crossmembers holding them above frame.*