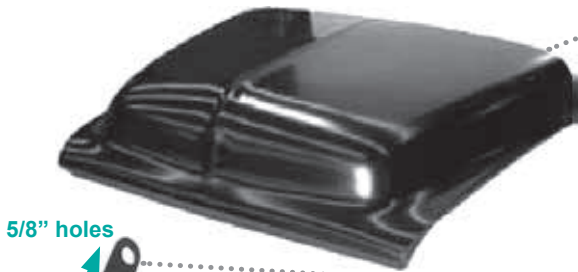


# HOOD • HOOD HINGES



**STEEL HOOD** ..... 7759 ..... \$759.00 ea  
*Shipping can be crazy high, call for quote*

**HOOD HINGES**

1953-56 Hoods can be interchanged. 56 hinges can be used on 53-55 but 53-55 can NOT be used on 56, emblems can interchange by changing holes. If hood pops up in back while driving, adjust front hood dowel latch forward.

**Ned reproduction hood hinges**

Complete with spring. Not all springs are equal, many not so good on the market.

- 1956, passenger ..... 2003-56R ..... \$69.00 ea
- 1956, driver ..... 2003-56L ..... \$69.00 ea
- 1953-55, passenger ..... 2003-5355R ..... \$69.00 ea
- 1953-55, driver ..... 2003-5355L ..... \$69.00 ea

**Billet aluminum polished hinges**

Made for 56 but will fit 53-55 as well, hardware included. Very cool, very expensive. Still works the same as stock hinges, including original issues

- Pair ..... 2004 ..... \$649.00 pr

**HINGE BASE ACORN NUTS** ..... 82011 ..... \$7.50 set

Only one side, bolts show when hood is open, these cover threads.

**CHROME PLUGS** ..... 82025 ..... \$5.00 set

For holes if not using hinges

**HOOD TO HINGE SHOULDER BOLTS**

**Stock size**

- 1953-55 ..... 2010-5355 ..... \$3.50 ea
- 1956 ..... 2010-56 ..... \$4.50 ea

**Oversize threads**

If original nuts are secure but stripped, tap nut to 3/8 SAE threads.

- 1953-55 ..... 2011-5355 ..... \$10.00 ea
- 1956 ..... 2011-56 ..... \$10.00 ea

**Bolts for fiberglass hoods**

Fiberglass hoods require longer bolts to reach threaded inserts

- 1953-55 ..... 2010-5355FB ..... \$9.00 ea
- 1956 ..... 2010-56FB ..... \$9.00 ea

**HOOD BOLT SAFETY WIRE** ..... 2005 ..... \$2.50 rl

Bolts have holes for this wire, it goes through both bolts keeping them stationary

**HOOD BOLT SPRING WASHER**

- 1953-55 set of 4 ..... 82009-5355 ..... \$4.50 set
- 1956 set of 4 ..... 82009-56 ..... \$4.50 set

**HOOD NUT REPAIR KIT** ..... 82012 ..... \$12.50 kit

Replaces missing tack welded nuts in hood braces, special taper sleeve nuts that collapse within, locking onto sheet metal. Simple installation tool and instructions included. Nut must be secure for hood to operate properly, set of 4 does both sides.

**HOOD HINGE SPRING** ..... 2002 ..... \$19.95 ea

Spring is intended to tighten only 1/3 to 1/2 a turn.

**SPRING INSTALLATION TOOL & INSTRUCTIONS**

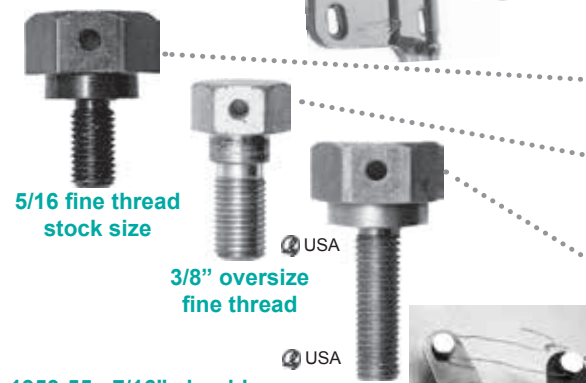
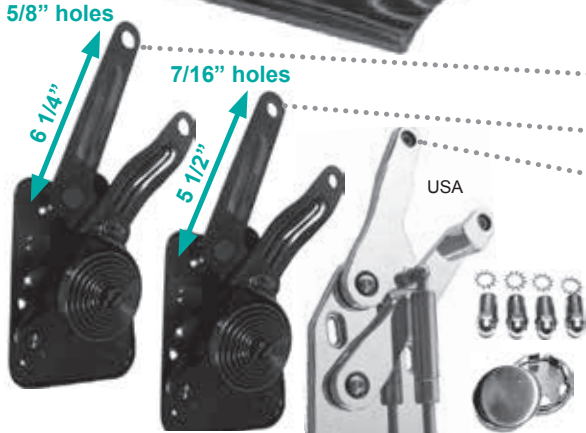
For removing & replacing springs ..... 82002 ..... \$13.50 ea  
 Also Included in repair kit below. Note we have new reproduction hinges so you might rethink rebuilding old ones.

**HOOD HINGE REPAIR KIT**

Includes 2 new reproduction springs, installation tool, 4 shoulder bolts, nut repair kit & instructions.

- 1953-55 ..... 92002-5355 ..... \$69.95 kit
- 1956 ..... 92002-56 ..... \$69.95 kit

Note we have new reproduction hinges so you might rethink rebuilding old ones.



1953-55 - 7/16" shoulder  
 1956 - 5/8" shoulder

