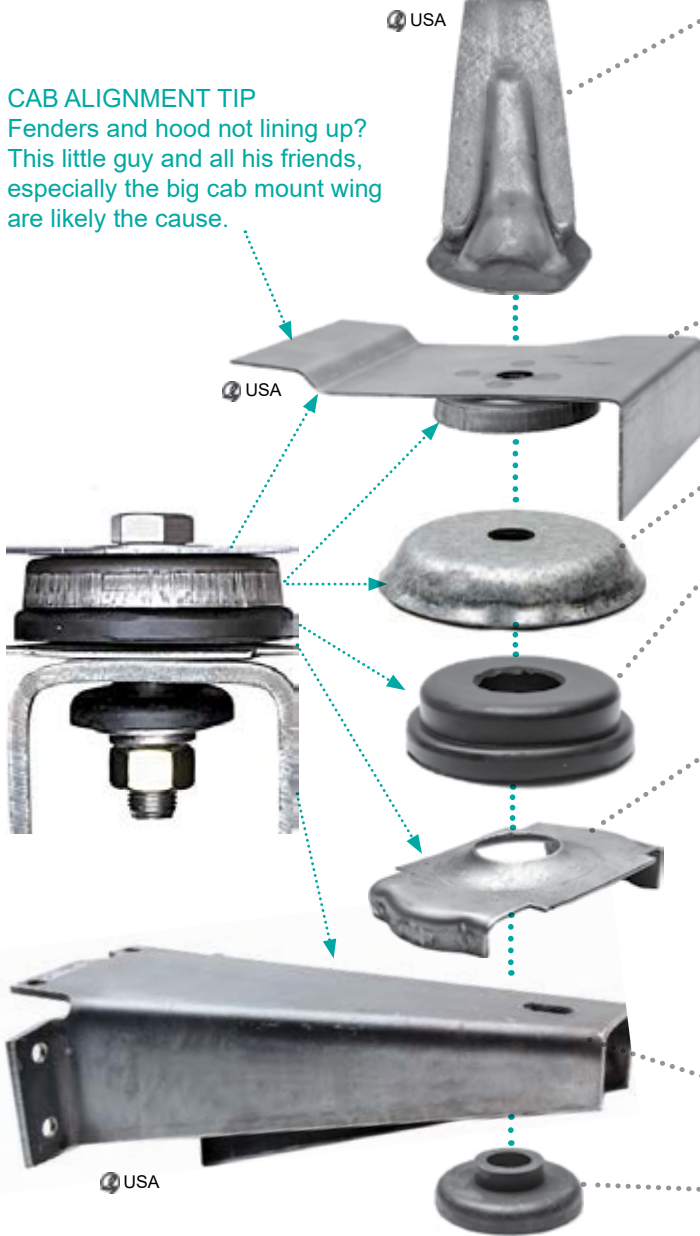


CAB MOUNTS, FRONT



CAB ALIGNMENT TIP
Fenders and hood not lining up?
This little guy and all his friends,
especially the big cab mount wing
are likely the cause.



FRONT CAB MOUNT BOLT KITS

- Front, zinc..... 80702-Z..... \$4.50 pr
- Front, stainless 80702-SS \$9.50 pr
- Front & rear, zinc 80708-Z.....\$10.50 set
- Front & rear, stainless..... 80708-SS\$25.95 set

FRONT CAB BODY MOUNT BRACKET

- Is inside cab. Cab mount bolt goes through this, cab floor, then into mount plates*
- Driver 7718-L..... \$25.00 ea
 - Passenger 7718-R \$25.00 ea

FRONT CAB MOUNT UPPER CAP & PLATE

This piece is often collapsed causing cab to lean. Note the plate shown beneath the floor with a little space between. If plate has rusted and collapsed cab will be a quarter inch off or more! If fenders and hood are not lining up this area is often the problem. Replace this, tack weld to floor and rocker, install new rubber and watch fenders and hood line up!

- Driver side 0716-L..... \$12.00 ea
- Passenger side..... 0716-R \$12.00 ea

FRONT CAB MOUNT CAP

Goes over rubber mount, this is the cap attached to above plate.

- Each 0719 \$4.50 ea

FRONT MOUNT UPPER LARGE DONUT

Pair 0700 \$7.95 pr
1953-55 rubbers were more tapered and cap had a 45 degree flare, by 56 Ford made a small change and this is what we make today. This is NOT the same as front motor mount, though some sell as such, motor mount is too hard and does not have proper "spring".

FRONT CAB MOUNT LOWER RETAINER

Each 0717 \$6.50 ea

CAB MOUNT RUBBER KIT

Includes front large pads, front small pads, rear arm bumpers and 4 rubber bushings which in our experience are a waste of time without the steel bushings. Do not order this unless your steel bushing and/or rear cab arms are in good condition.

- Kit 90703 \$21.00 kit

CAB MOUNT FRAME WING

Here is where a lot of front end misalignment starts. The cab is setting on this wing, if it is bent or fatigued, or if the frame is fatigued at this point the front fenders and hood will not align properly. Simple test, jack frame up below wing, if fenders fall into place, repair this wing and/or frame

- Order Left...0736-L 0736-R \$95.00 ea
- Mounting bolts 80736 \$9.00 set

FRONT CAB MOUNT LOWER SMALL PAD

Pair 0701 \$7.95 pr

COMPLETE FRONT CAB MOUNT KIT

Includes: 2 upper rubbers, 2 retainers, 2 lower pads, 2 bolts with hardware and 2 caps

- Kit 90700-F..... \$42.50 kit
- With floor plates..... 90700-WP \$58.50 kit

SEE NEXT PAGE IF YOU "NEED IT ALL"
Both front and rear.

