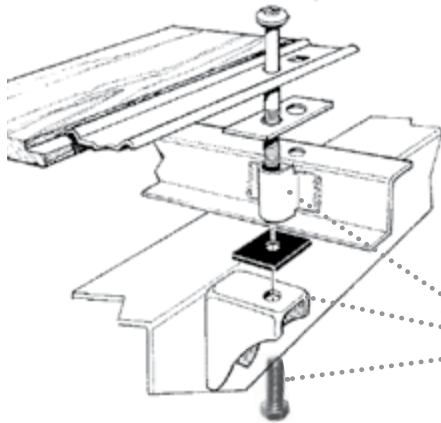


BED FLOOR



HIDDEN MOUNTING EXPLANATION: Shown is stock mounting bolt at front of bed. Note bed strip has an extra mounting hole for mounting bolt. This is eliminated when using "hidden mounting". Bed is secured to frame from underneath with bolt (C) coming up through bracket (B) into hidden mounting crossmember (0230-HD) which has a tap instead of the sleeve (A). Center x-members (0232-HD) also have threads welded inside, bolt goes through frame from underneath into threads. Wood sets on top of front bed panel flange, under side flanges.

- A.) Front crossmember sleeve
- B.) Frame brackets
- C.) Hidden mounting bolt



Bed wood goes over flange of front panel, under flange of bed sides.

Note we do not indent ends of bed wood. We like the look better with end cap over bed flange instead of under, it is more level with strips and eliminates that dust catching crack. Grind down bed flange a tiny bit if you need to push the cap back to clear gate. If you just must have original, ask for end rout, add \$20.00.



BED WOOD KIT

Clear red oak, with correct routed edges. Tail end of bed wood not routed, nicer installation, we like to set end cap above wood and bed side flange. See also end cap. With hold down bolt holes countersunk for stock mounting or without hold down bolt holes, for hidden underbed mounting. Oversize shipping

- Red oak with mounting holes 0215-WH... \$365.00 set
- Red oak no mounting holes..... 0215-NH... \$365.00 set
- Also available in white oak, call, about \$65 more.
- Exotics, walnut, cherry, etc.....BIG \$\$
- Do it yourself dimensions Just ask..... Free

F-250 & F-350 long bed wood kits, see page 138



HEAT PROTECTOR

Guards your wood from harmful exhaust heat. Attaches under floor above exhaust, comes with hardware

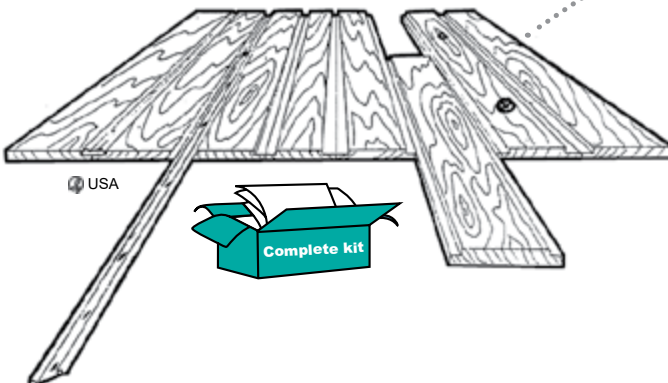
- One, (for duals order 2) 0227-PS \$20.00 ea

COMPLETE BED FLOOR KITS

Includes: wood (8), strips (7), strip bolts (67), under wood washers, end cap & mounting bolts if needed.

With frame mounting bolts (stock)

- Stock steel 90215-Z..... \$429.00 kit
- Stainless 90215-SS... \$529.00 kit
- Polished stainless..... 90215-PS... \$629.00 kit
- Hidden mounting (see cross-members on next page)
- Stock steel 90214-Z..... \$399.00 ea
- Stainless 90214-SS... \$509.00 ea
- Polished stainless..... 90214-PS... \$589.00 ea
- Polished stainless WOW strips.. 90214-W \$639.00 ea



Single strips or boards are available, call for details. Add flange covers found on page 121 for a complete look