

BED PARTS

Bed kits have big discounts. Check with us if considering individual pieces or call for help. Complete kits often ship for the same price as just one bed side

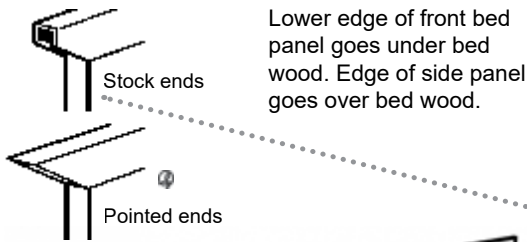


FRONT BED PANEL TOP ANGLE BOLTS

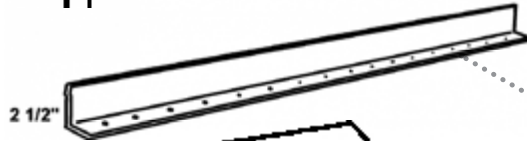
- Zinc..... 80202-Z \$2.00 set
- Polished stainless hex head 80202-PX..... \$7.90 set
- Polished stainless buttons 80202-PB..... \$8.90 set

FRONT BED PANEL *Oversize shipping*

- Pointed ends, USA made 0200-14..... \$175.00 ea
- Stock ends, USA, stock 0200..... \$175.00 ea



Stock front panel end is open and did not match the side, this lets water in and looks yucky, so we make it both ways. All our bed kits include the pointed one except Stone stock bed kit. If you want stock original please ask NOTE: Our panel does not fit China bedsides

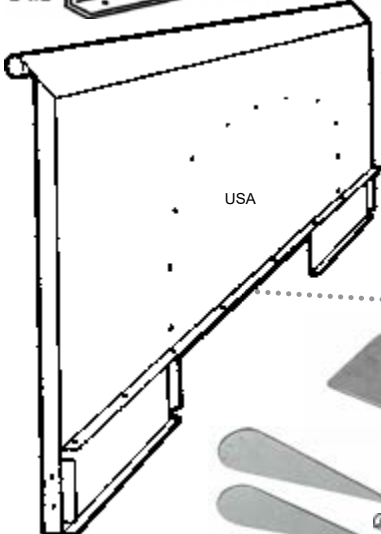


FRONT PANEL LOWER REPAIR FLANGE

- Use if your lower front bed panel is rusted, goes under bed wood*
- Repair flange 0210-RP..... \$29.50 ea

BED SIDES TO FRONT BOLTS

- Polished hex with acorns..... 80205-PX..... \$19.50 set
- Polished button with acorns..... 80205-PB..... \$18.25 set
- Zinc..... 80205-Z \$5.00 set



NOTE: China made bed sides, may not fit exactly with USA components

SIDE BED PANELS *Oversize shipping*

- With stake pockets, extensions & fender holes. 1953-56*
- Stock with stake pocket holes 0202-(R or L) ... \$300.00 ea
- Smooth, no stake pocket holes 16 ga .. 0203-(R or L) ... \$310.00 ea
- Teardrop bed panels, smooth..... 0201-(R or L) ... \$445.00 ea
- Front & rear roll ends in teardrop shape*

STAKE HOLE REPAIR PATCH

- Each, need 4 0225-1..... \$6.00 ea

TEARDROP INSERTS

- Must be welded on, same as used on ours*
- Plain steel set of 4 0218-4..... \$25.00 set
- Stainless, buff to polish after installed .. 0218-SS..... CALL

STAKE POCKET

- Front 0205-F \$45.00 ea
- Rear, with or without holes for gate, light & chains
 - With holes, left 0205-RL \$49.00 ea
 - With holes, right..... 0205-RR \$49.00 ea
 - No holes, left..... 0205-RLN \$49.00 ea
 - No holes, right 0205-RRN..... \$49.00 ea
- End rolls, rear 0229 \$39.95 pr
- End rolls, front 0229-F \$39.95 pr
- Reversed end rolls, rear 0229-RRF \$49.95 pr
- Reversed end rolls, front 0229-RRR..... \$49.95 pr

SIDE BED PANEL EXTENSIONS

- Rear, right and left are the same 0207 \$16.50 ea
- Front, left 0206-L..... \$25.00 ea
- Front, right 0206-R..... \$25.00 ea

