



Beautifully crafted and hand finished, highest quality 18 gauge steel. Replaces bed extension Or can be trimmed to go under extension. Covers rear bed crossmember. Hand finished seams. Meets bottom of rear fender

ROLL PAN WITH LIGHTS

Does not require trimming rear x-member. Bolt or weld on, fits over & flat against rear bed sill, license box and lights are beneath rear x-member, (no cutting), replaces rear extension and even with bottom of fenders. Also available with NO license box.

WITH RECTANGULAR-OBLONG LIGHTS

- 4 LED lights & license box.....7252-4WB... \$365.00 ea
- 2 LED lights & license box.....7252-2WB... \$285.00 ea

WITH OVAL LIGHTS

- 4 standard lights & license box.....7255-4WB... \$250.00 ea
- 2 standard lights & license box.....7255-2WB... \$220.00 ea
- 2 standard lights NO box.....7256-2 \$200.00 ea
- 4 standard lights NO box.....7256-4 \$230.00 ea
- 4 LED lights & license box.....7253-4WB... \$365.00 ea
- 2 LED lights & license box.....7253-2WB... \$265.00 ea

OTHER CUSTOM ROLL PANS

- With Slotted lights & licence box7246-BR \$395.00 ea
- With Slotted lights, no box.....7245-R..... \$379.00 ea

Curved license box and slotted lights.....7265-CSD... \$385.00 ea

With Ford Script.....7262-FS4..... \$375.00 ea

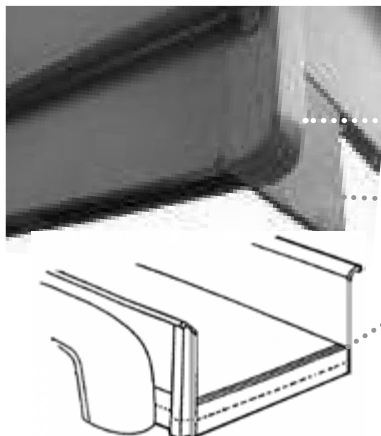
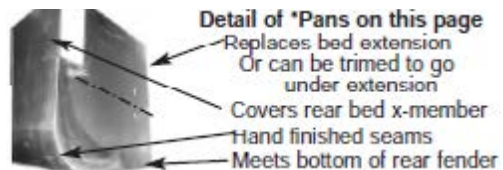
With ford in oval.....7261-FO4 ... \$375.00 ea

With 6 oval lights small-med-lg & box....7268-BV..... \$365.00 ea

With year & ford.....7263-YF..... \$385.00 ea

ROLL PAN, NO LIGHTS

- Smooth, no lights or box.....7242..... \$155.00 ea
- With license box no lights.....7242-B..... \$175.00 ea



DROPPED REAR SILL

Complete kit.....90237..... \$219.95 ea
 Use in place of roll pan. Dropped sill with dropped extensions & curved end caps for stake pockets brings rear down to meet fender, makes truck look lower. Requires welding

Dropped rear stake pockets

- Straight flat open bottoms.....0239..... CALL
- Curved closed bottoms front0239-XF..... \$150.00 pr
- Curved closed bottoms rear0239-XR..... \$150.00 pr
- Dropped rear bed extensions0238..... \$50.00 pr
- Dropped rear sill (crossmember).....0237..... \$135.00 ea
- Dropped rear sill with lights \$250.00 ea
- Flames...0237-FL, Slots...0237-SL Ovals .0237-OV
- Made to order, Year, Ford, etc.